

SONOROUS[®] | FURNITURE

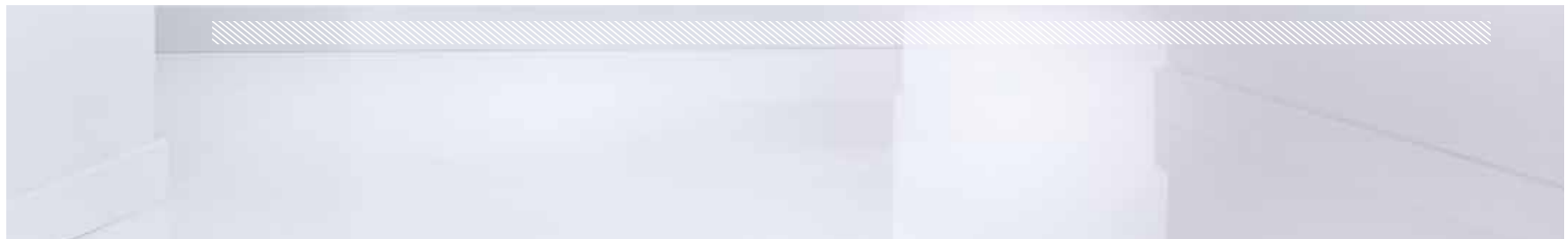
Sonorous provides audio&video related products with focus on quality, functionality and aesthetics. Founded in 2004, a solid position and reputation worldwide has been built up over the years. Now represented worldwide in more than 50 countries via strong partnerships with a global network of distributors.

Our products are engineered to meet the demanding needs of today's electronics and represent an attentive monitoring of market trends and changes. Continuous research into materials and finishes has been distinguishing characteristics of Sonorous.



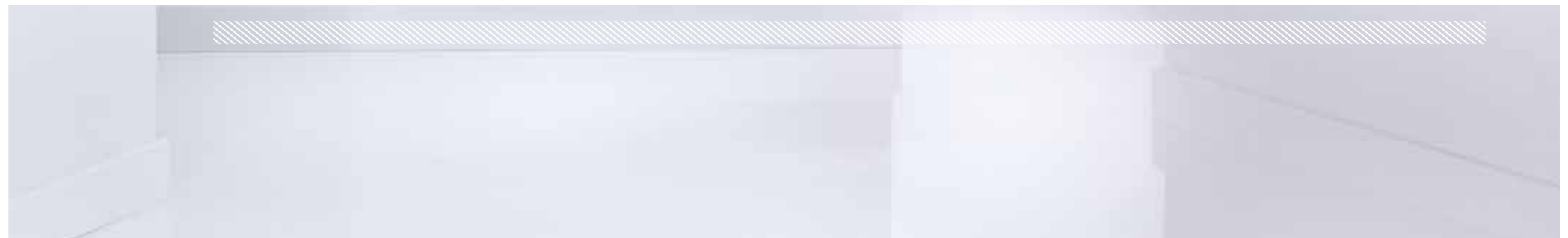


AUDIO VIDEO FURNITURE



001

WOOD SERIES



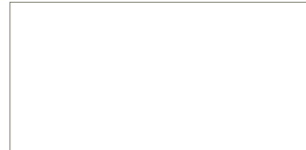
STUDIO SERIES

- FLAP DOOR WITH PUSH TO OPEN SYSTEM
- TOP SHELF AND FRONT DOOR TEMPERED GLASS OR FRONT DOOR WITH WOOD DECORS
- CABINET WITH BASE OR WALL HANGING
- ADJUSTABLE SHELVES FOR AV EQUIPMENT (ONLY FOR ST 160 161)
- EASY CABLE ACCESS BETWEEN SHELVES AND SECTIONS
- HIDDEN INFRARED REPEATER SYSTEM, REMOTE CONTROL FOR COMPONENTS BEHIND CABINET DOORS
- IR FRIENDLY FRONT GLASS (ONLY AVAILABLE FOR "I" MODEL)
- OPTIONAL BRACKET
- FULLY ASSEMBLED (A) OR DISASSEMBLED (D)
- ACOUSTIC FABRIC FOR AUDIO DEVICES INCLUDING CENTER SPEAKERS, SOUNDBARS

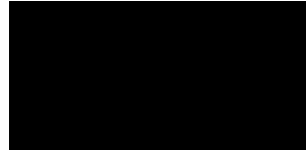
ST 110	ST 111	ST360
ST 160	ST 161	ST361
ST 260	ST 261	

BODY COLORS

WHT-WHITE



BLK-BLACK



DOOR OPTIONS AND COLORS

WHT-WHITE



BLK-BLACK



WNT-WALNUT



OAK-OAK



MOL-MOLINA



COR-CORTINA



TOR-TORTONA



AMZ-AMAZON



GRY-GREY



OLV-OLIVE



HOW (I) GLASS LOOKS



F- FLAP
I- IR FRIENDLY GLASS
T- TEXTILE

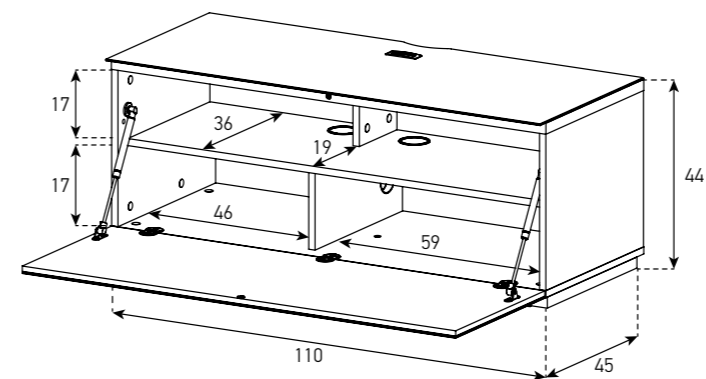


STA 360F-WHT-OAK-SL



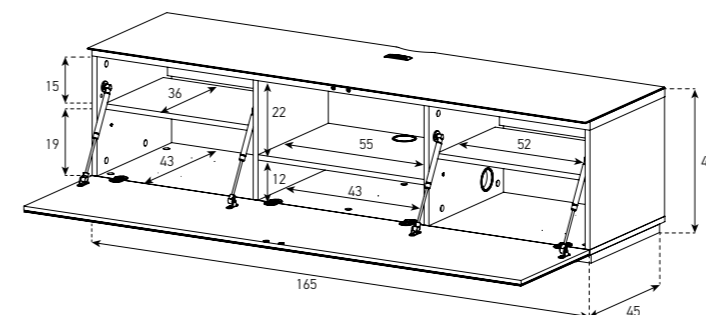
STA 110F-WHT-WHT-BS

- MAX TOP LOAD
60 KG
- IDEAL SCREEN SIZE
52"





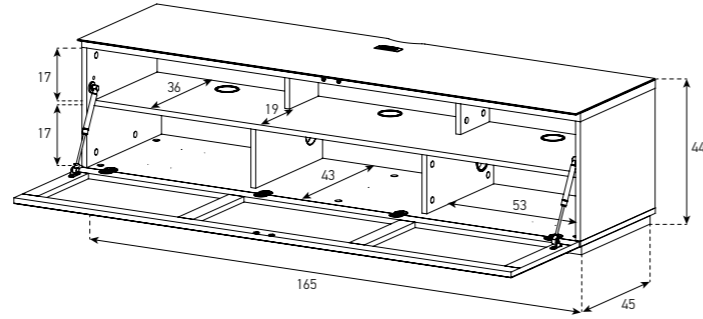
STA 160F-BLK-WNT-BS

- MAX TOP LOAD
60 KG
- IDEAL SCREEN SIZE
70"





STA 260T-WHT-BLK-BS

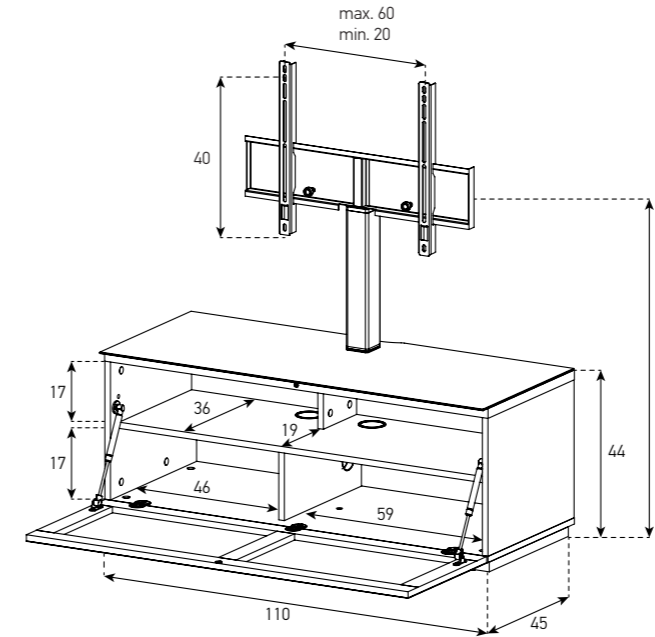
-  MAX TOP LOAD
60 KG
-  IDEAL SCREEN SIZE
70"





STA 111T-BLK-OLV-BS

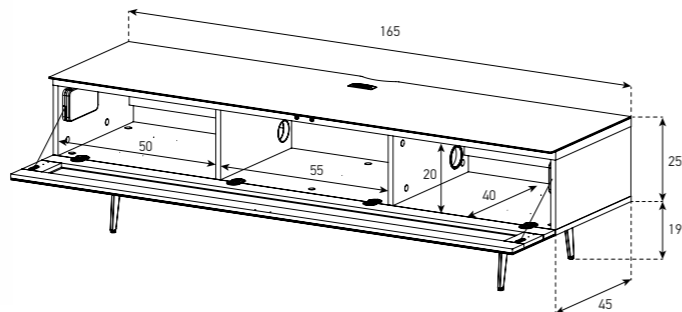
-  MAX TOP LOAD
50 KG
-  IDEAL SCREEN SIZE
52"

45°



STA 360I-WHT-WHT-SL

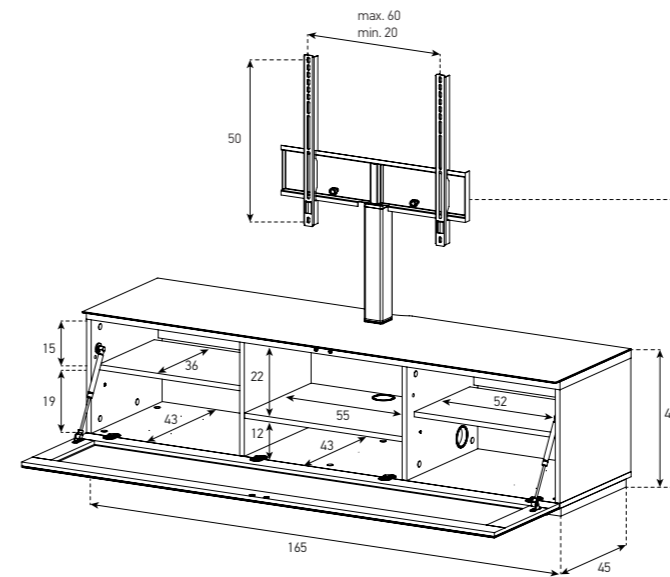
-  MAX TOP LOAD
60 KG
-  IDEAL SCREEN SIZE
70"



STA 161I-WHT-WHT-BS



-  MAX BRACKET LOAD
50 KG
-  IDEAL SCREEN SIZE
60"

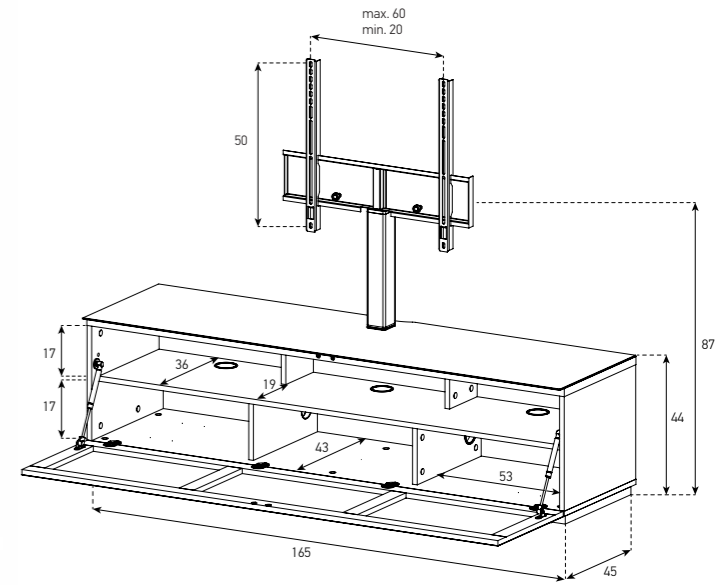
45°







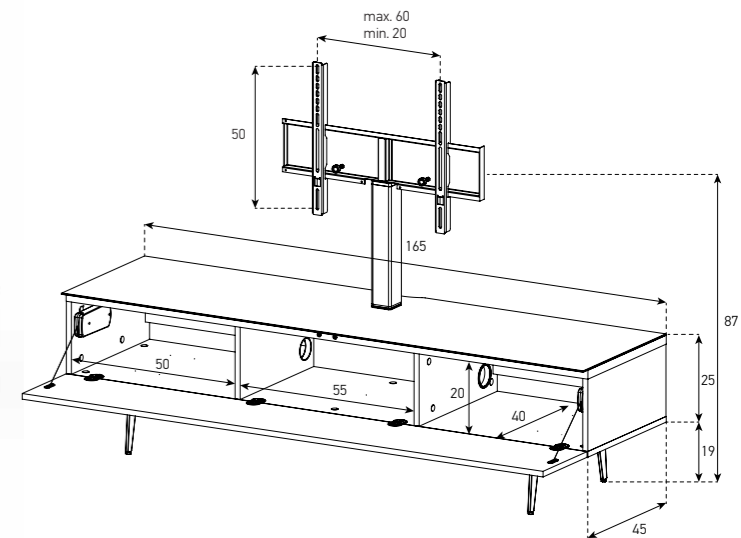
STA 261T-BLK-BLK-BS

-  MAX BRACKET LOAD
50 KG
-  IDEAL SCREEN SIZE
60"

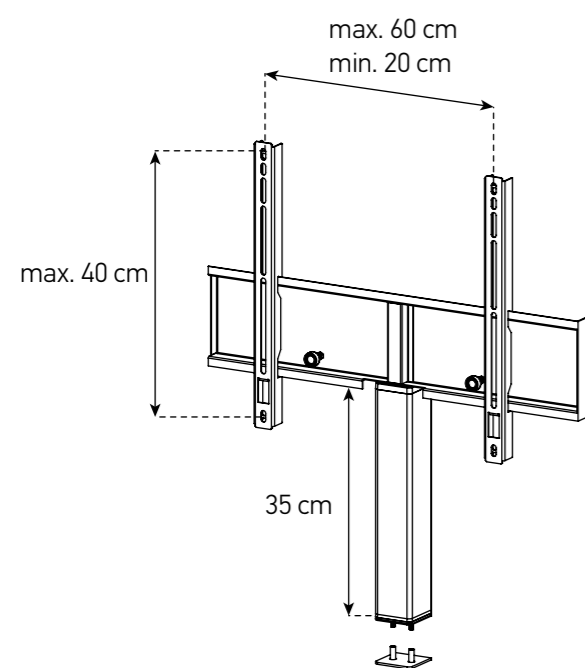


STA 361F-BLK-BLK-SL

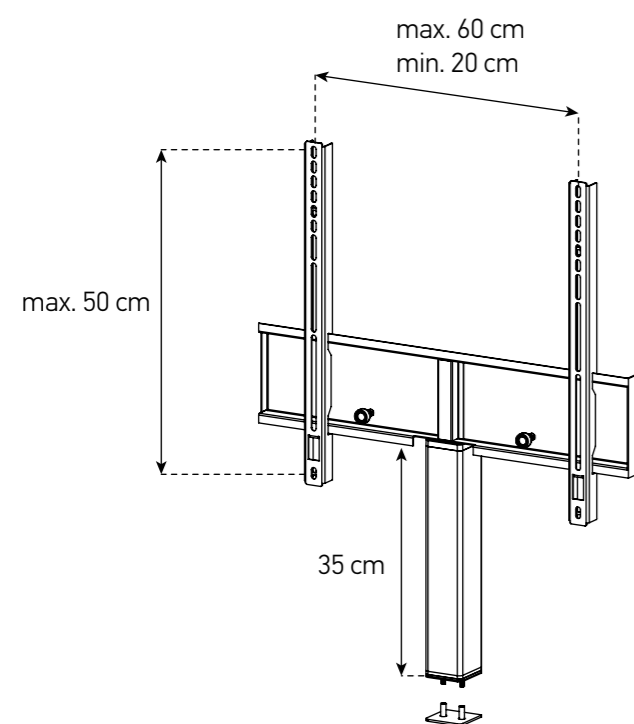
-  MAX BRACKET LOAD
50 KG
-  IDEAL SCREEN SIZE
60"



Bracket Kit ST-ADP-SLV-4060



Bracket Kit ST-ADP-HBLK-5060



STA 110F-BLK-BLK-BS



CODE SAMPLE
STA 110F-WHT-WHT-BS

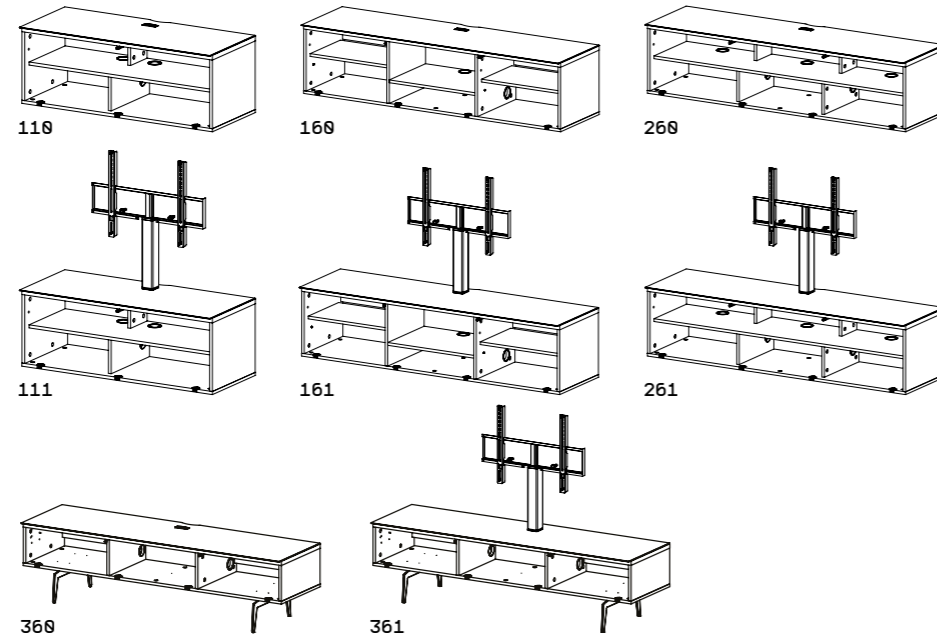
1 2 3 4 5 6 7

1- STUDIO SERIES

2- ASSEMBLE OPTION

- (A) - ASSEMBLED
- (D) - DISASSEMBLED

3- MODEL



4- DOOR OPTION

- (F) - FLAP (NOT APPLICABLE TO 260/261 MODELS)
- (I) - IR FRIENDLY (GLASS)
- (T) - TEXTILE

5- BODY COLOR

- (BLK) - BLACK
- (WHT) - WHITE

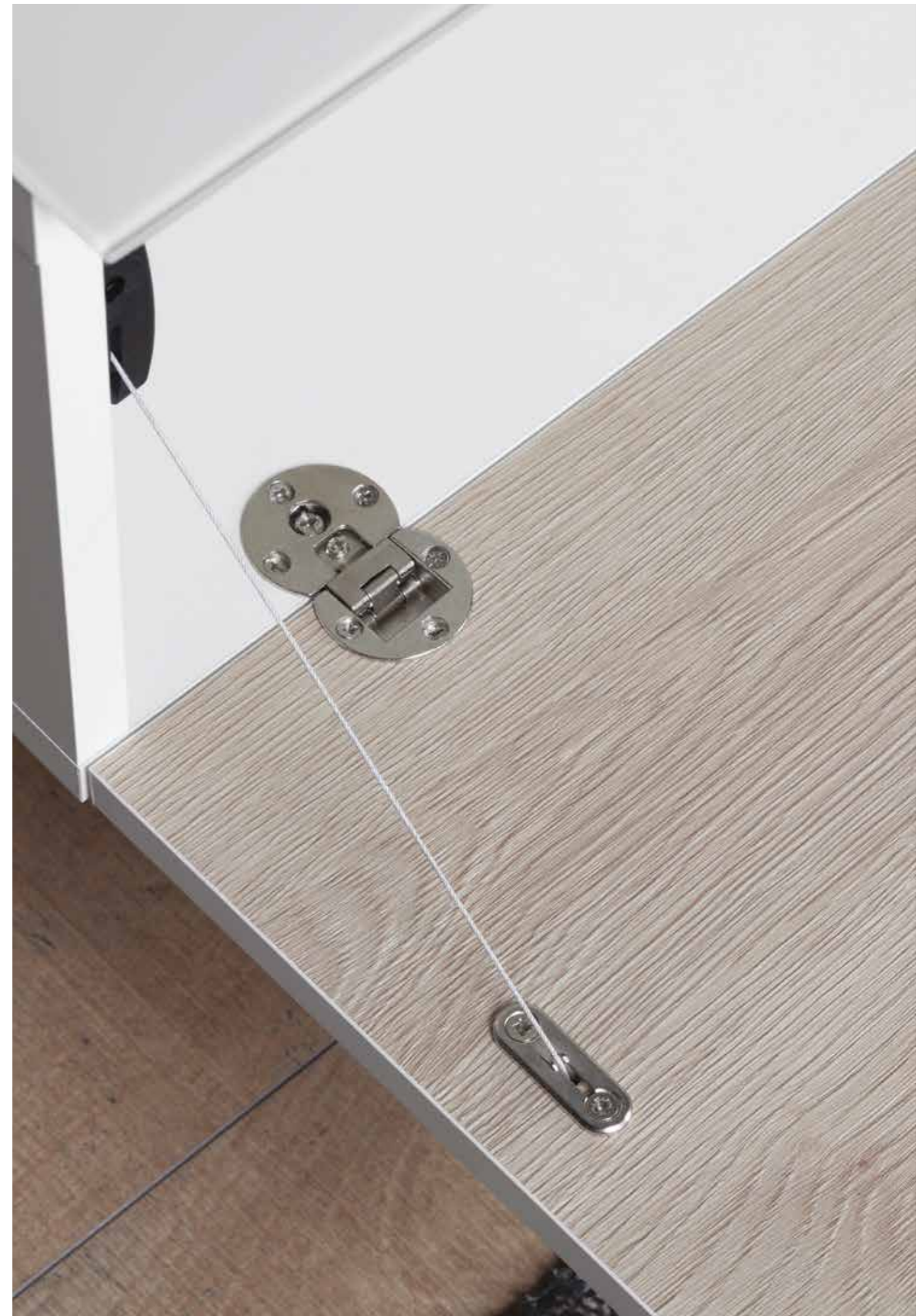
6- DOOR COLOR

(BLK) - BLACK	(F) (I) (T)
(WHT) - WHITE	(F) (I)
(WNT) - WALNUT	(F)
(OAK) - OAK	(F)
(AMZ) - AMAZON	(F)
(MOL) - MOLINA	(F)
(COR) - CORTINA	(F)
(TOR) - TORTONA	(F)
(OLV) - OLIVE	(T)
(GRY) - GREY	(T)

APPLICABLE DOOR
 OPTIONS

7- FLOOR/WALL OPTION

- (BS) - BASE
- (WL) - WALL HANGING
- (BW) - BASE & WALL HANGING
- (SL) - STEEL LEGS (ONLY AVAILABLE FOR 360 MODEL)

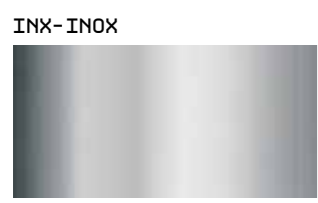


MOOD SERIES

- TEMPERED GLASS WITH FLAT POLISHED EDGE
- ANODIZED OR POWDER COATED ALUMINIUM PROFILES IN BACK COLUMN AND LEGS
- MELAMINE FACED WOOD OR NON-SCRATCH HIGH GLOSS FINISHING CABINETS
- CABINET FLAP FOR A/V EQUIPMENT
- CABINET FLAP FOR DVD HOLDER
- CABINET DRAWER WITH "SILENT STOP"
- INTEGRATED CABLE MANAGEMENT SYSTEM
- HIDDEN CASTERS
- (24°) SWIVEL SYSTEM
- ADJUSTABLE HEIGHT FOR BRACKET (+/- 75 MM)

MD 8095	MD 8143	MD 9095	MD 9240
MD 8120	MD 8220	MD 9120	MD 9135
MD 8140	MD 8240	MD 9140	MD 9340
MD 8953	MD 8340	MD 9220	MD 9540
MD 8123	MD 8540		

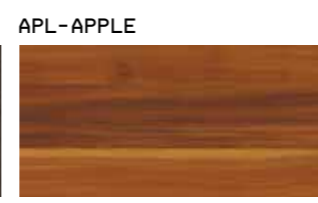
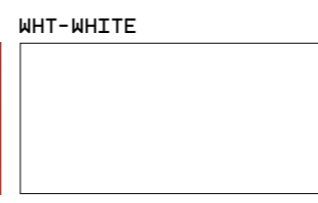
ALUMINIUM FINISHING



GLASS COLORS

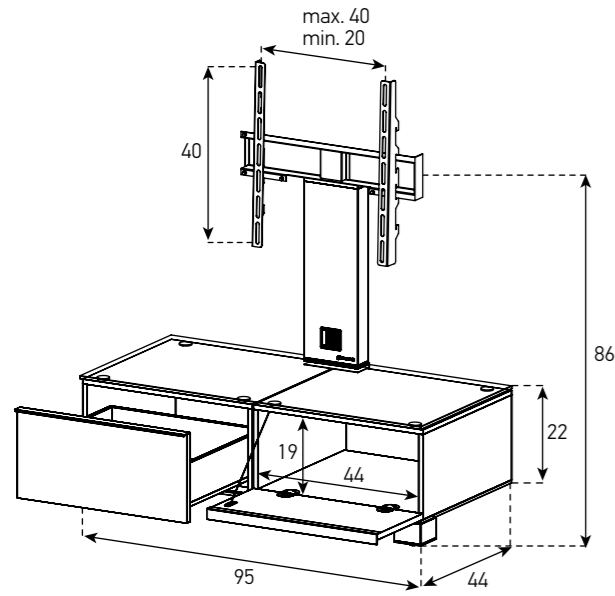


WOOD FINISHING



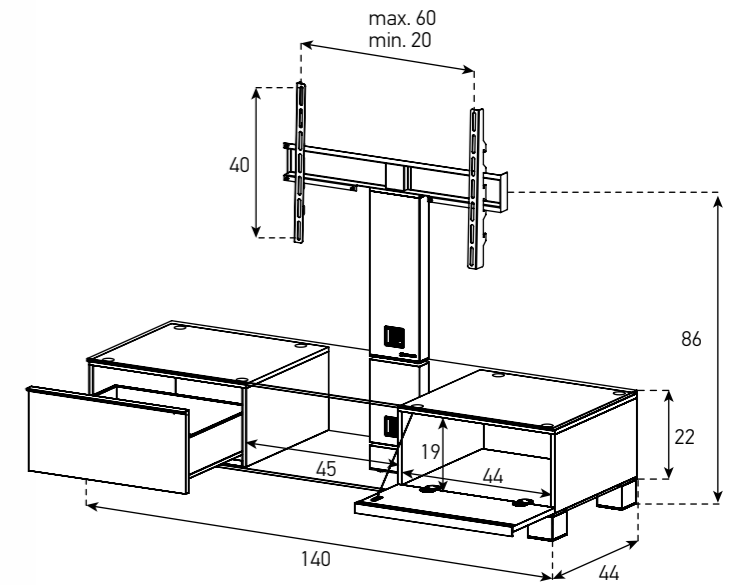
MD 8095-C-INX-BLK

- MAX BRACKET LOAD
40 KG
- IDEAL SCREEN SIZE
40"



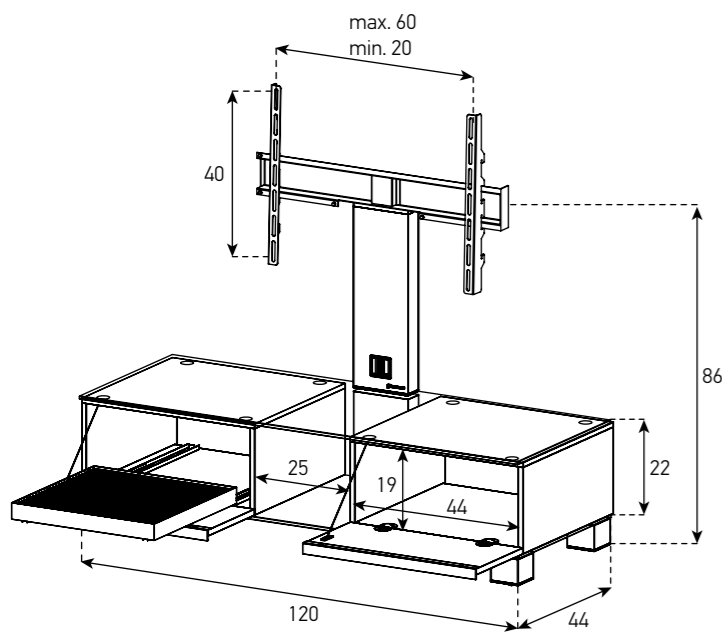
MD 8140-C-INX-WHT

- MAX BRACKET LOAD
50 KG
- IDEAL SCREEN SIZE
60"



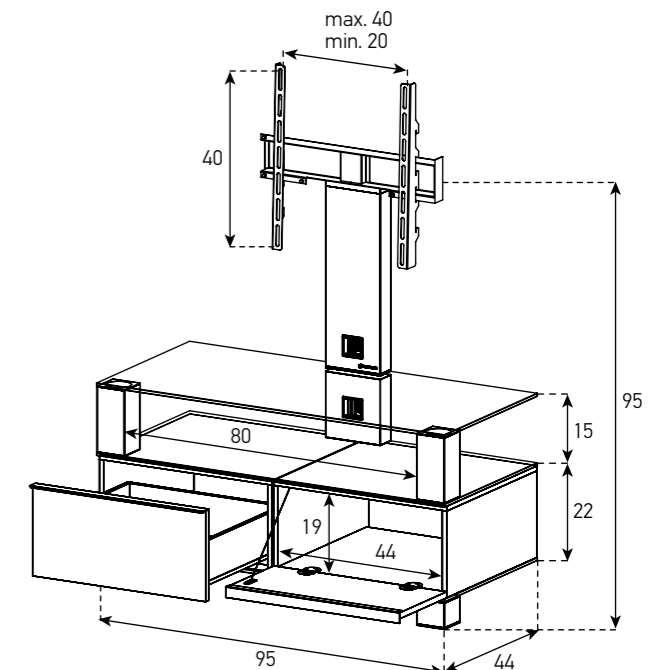
MD 8120-B-INX-AMZ

- MAX BRACKET LOAD
50 KG
- IDEAL SCREEN SIZE
50"



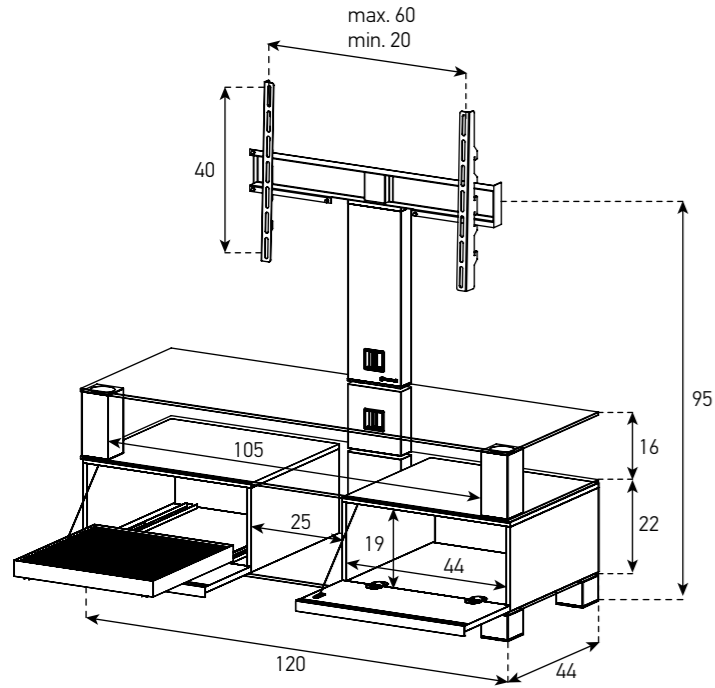
MD 8953-C-INX-RED

- MAX BRACKET LOAD
40 KG
- IDEAL SCREEN SIZE
40"



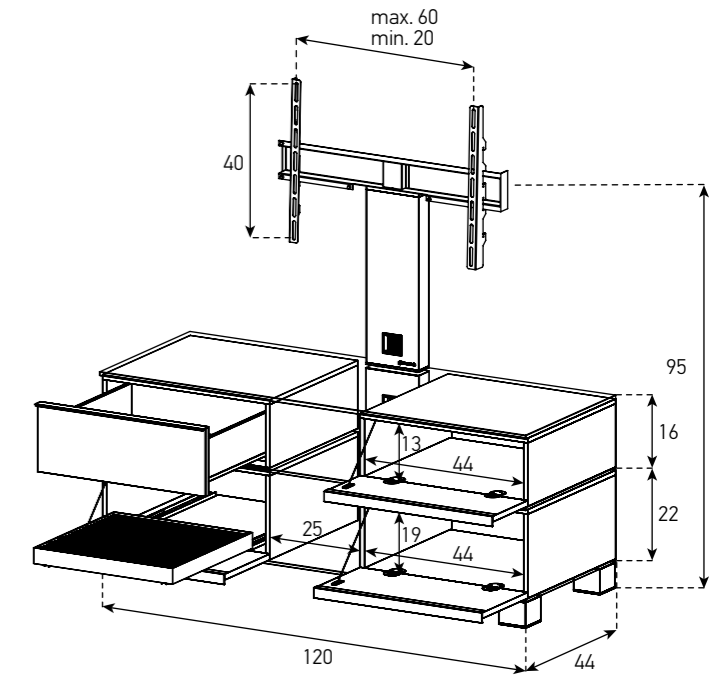
MD 8123-C-INX-WNT

- MAX BRACKET LOAD
50 KG
- IDEAL SCREEN SIZE
50"



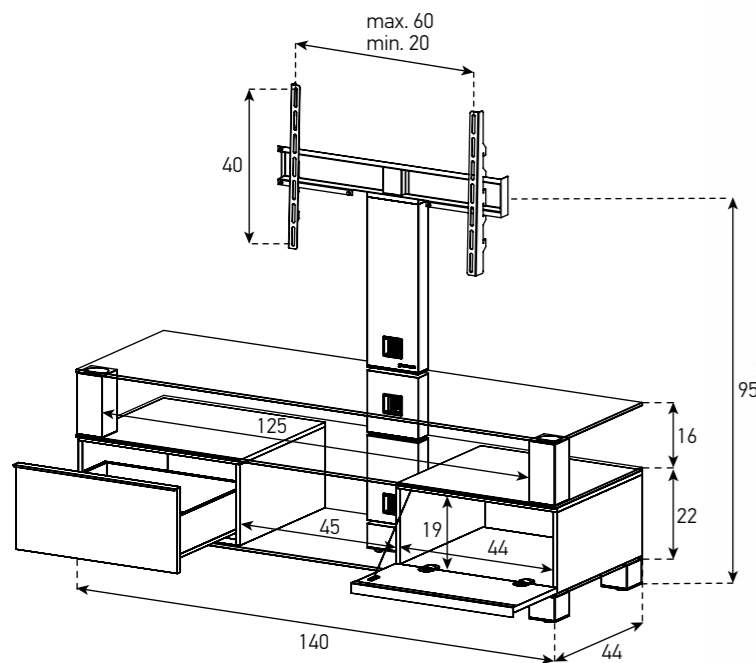
MD 8220-B-INX-APL

- MAX BRACKET LOAD
50 KG
- IDEAL SCREEN SIZE
50"



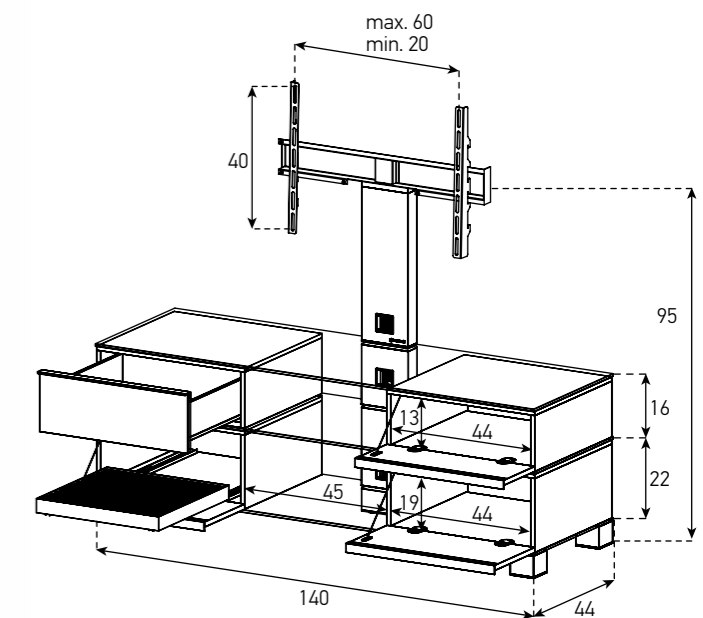
MD 8143-B-HBLK-BLK

- MAX BRACKET LOAD
50 KG
- IDEAL SCREEN SIZE
60"





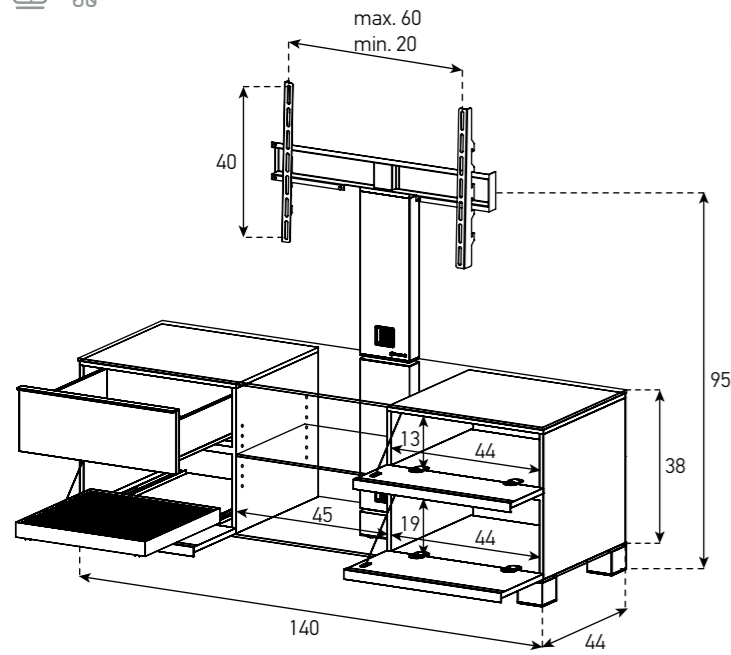
MD 8240-C-INX-RED

- MAX BRACKET LOAD
50 KG
- IDEAL SCREEN SIZE
60"





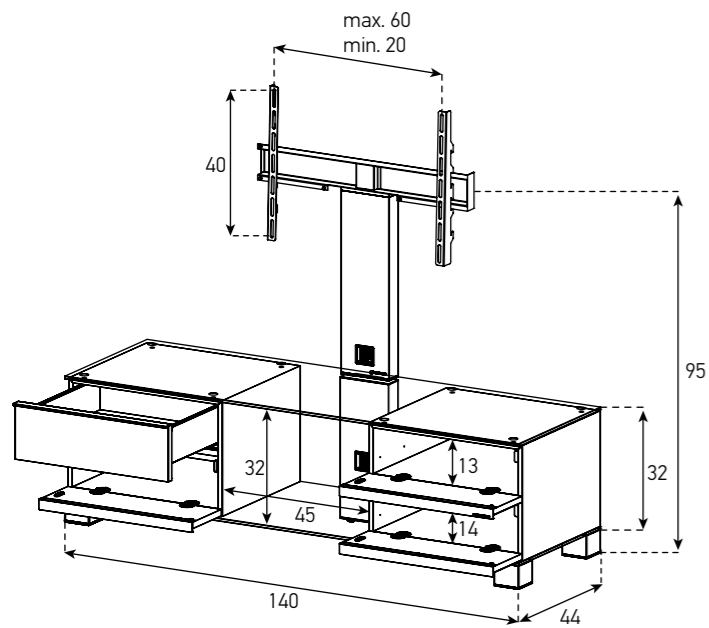
MD 8340-B-INX-BLK

-  MAX BRACKET LOAD
50 KG
-  IDEAL SCREEN SIZE
60"





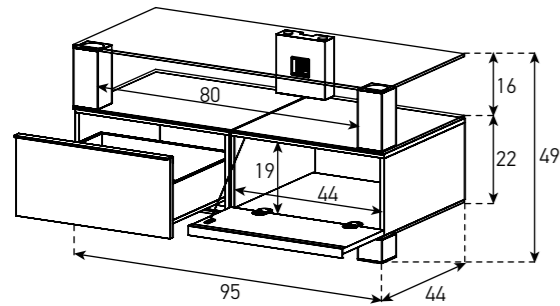
MD 8540-B-INX-MOL

-  MAX BRACKET LOAD
50 KG
-  IDEAL SCREEN SIZE
60"





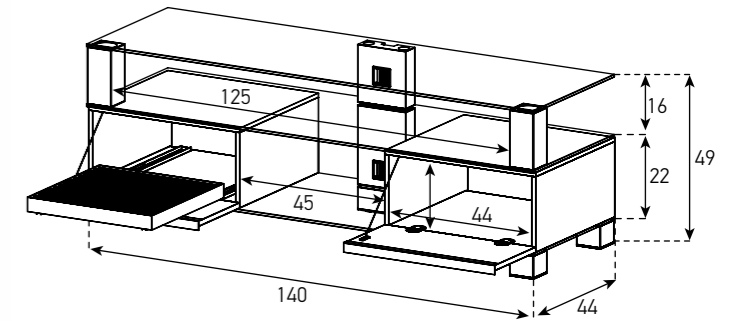
MD 9095-C-HBLK-BLK

-  MAX TOP LOAD
60 KG
-  IDEAL SCREEN SIZE
48"





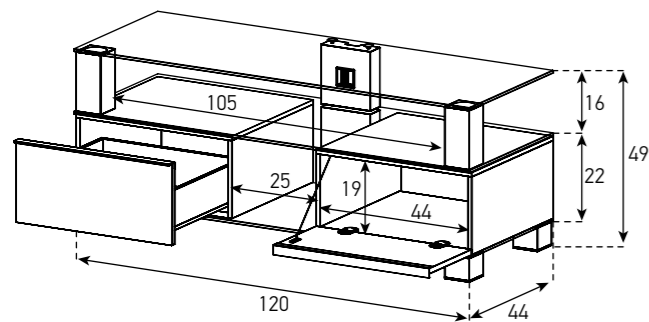
MD 9140-B-HBLK-AMZ

-  MAX TOP LOAD
80 KG
-  IDEAL SCREEN SIZE
60"





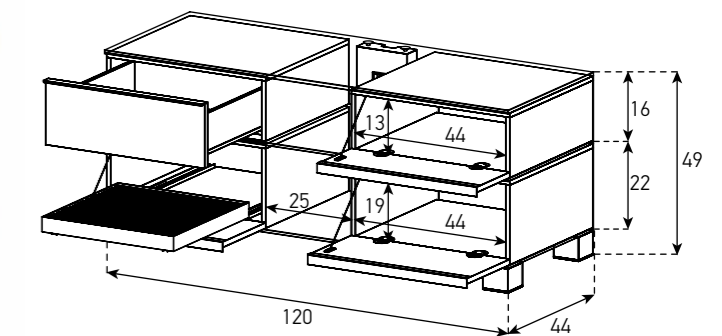
MD 9120-B-INX-WHT

-  MAX TOP LOAD
80 KG
-  IDEAL SCREEN SIZE
50"





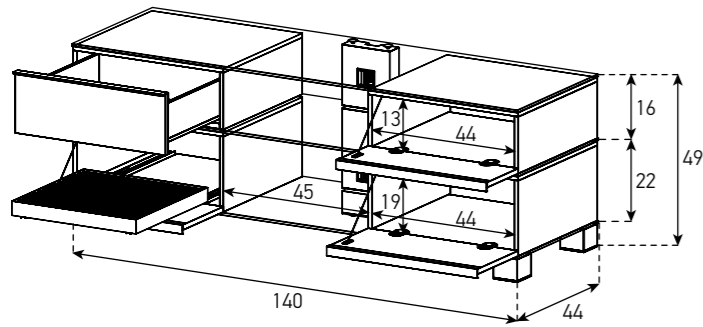
MD 9220-B-INX-WNT

-  MAX TOP LOAD
80 KG
-  IDEAL SCREEN SIZE
50"





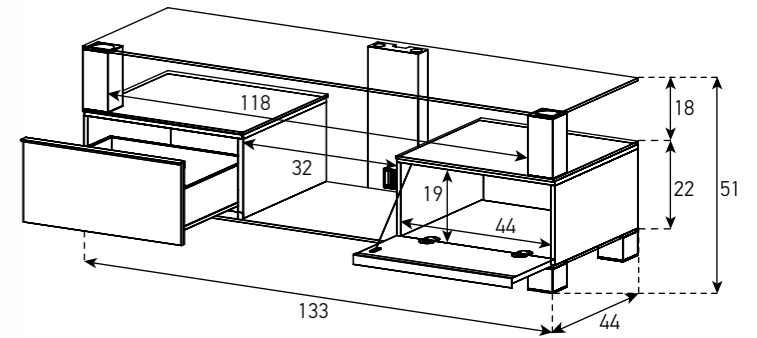
MD 9240-B-INX-GRP

-  MAX TOP LOAD
80 KG
-  IDEAL SCREEN SIZE
60"





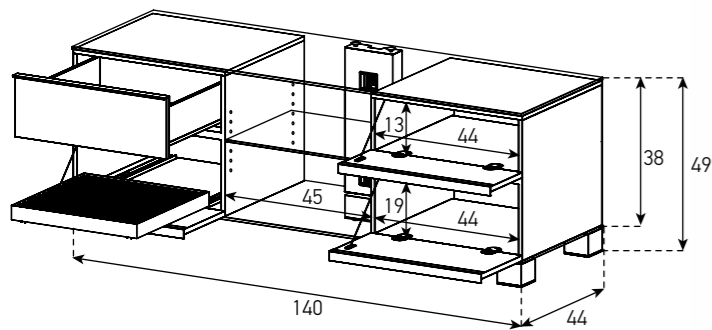
MD 9135-B-HBLK-BLK

-  MAX TOP LOAD
50 KG
-  IDEAL SCREEN SIZE
50"





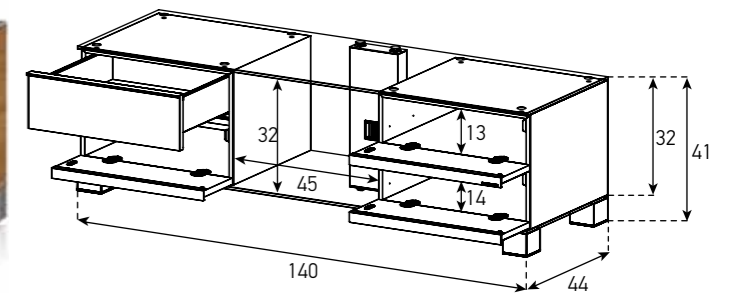
MD 9340-B-INX-AMZ

-  MAX TOP LOAD
80 KG
-  IDEAL SCREEN SIZE
60"



MD 9540-B-INX-WNT

-  MAX TOP LOAD
80 KG
-  IDEAL SCREEN SIZE
60"



LB SERIES

LB 1620 / LB 1621

TOP PANEL COVERED WITH BLACK TEMPERED GLASS OR WALNUT WOOD DECOR
 TEMPERED GLASS FRONT DOORS, REMOTE CONTROL WORKS THROUGH
 REMOVABLE MIDDLE SHELVES
 MIDDLE DOOR COVERED WITH FABRIC (ONLY FOR LB 1621)
 SHELVES FOR AV EQUIPMENT / SUBWOOFER
 HIDDEN CASTERS

LB 1123 / LB 2120

BLACK TEMPERED GLASS
 DRAWERS WITH PUSH TO OPEN SYSTEM
 HIDDEN CASTERS

LB 1840

BLACK TOP PANEL COVERED WITH BLACK TEMPERED GLASS
 GLOSSY AND WOOD DECOR FRONT DOORS
 REMOVABLE MIDDLE SHELVES
 DRAWERS WITH PUSH TO OPEN SYSTEM



LB 1620¹
 LB 1621⁴
 LB 1840³

LB 1123²
 LB 2120²

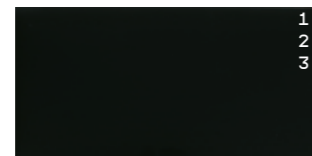
GLASS COLORS

B-BLACK



BODY COLORS

BLK-BLACK



WHT-WHITE

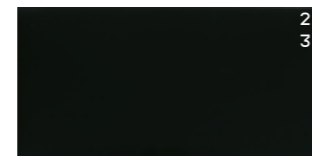


WNT-WALNUT



DOOR COLORS

GBLK-GLOSSY BLACK



GWHT-GLOSSY WHITE



WNT-WALNUT



OAK-OAK



MOL-MOLINA



COR-CORTINA



TOR-TORTONA





AMZ-AMAZON

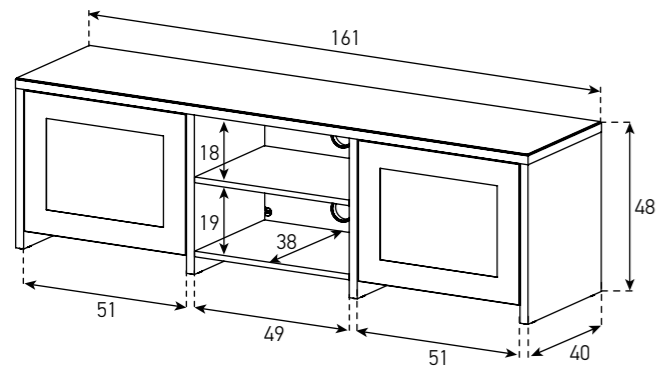


APL-APPLE




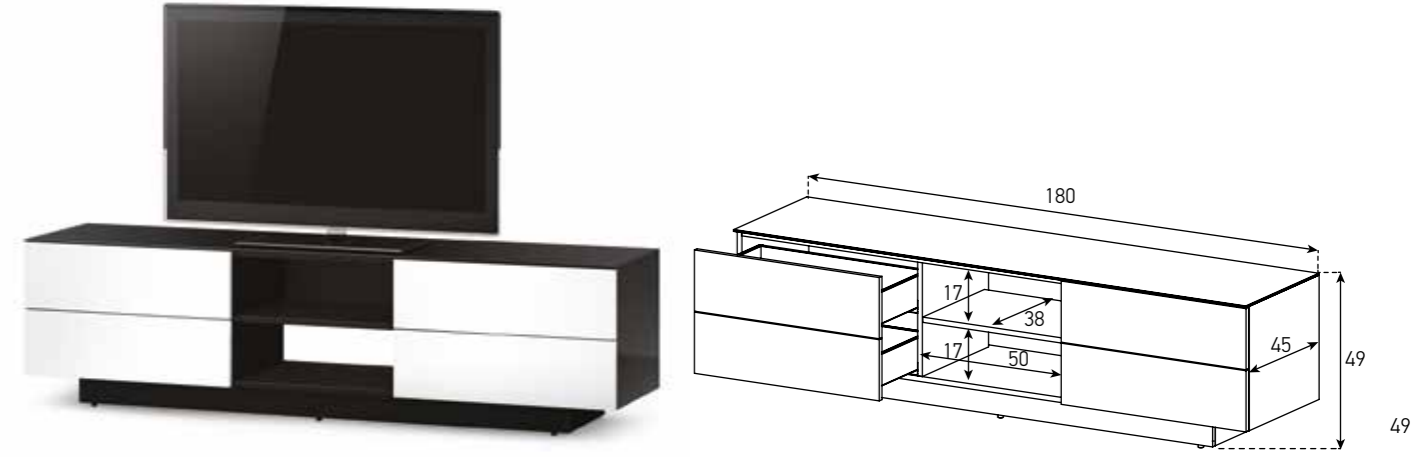
LB 1620-WNT

-  MAX TOP LOAD
80 KG
-  IDEAL SCREEN SIZE
70"





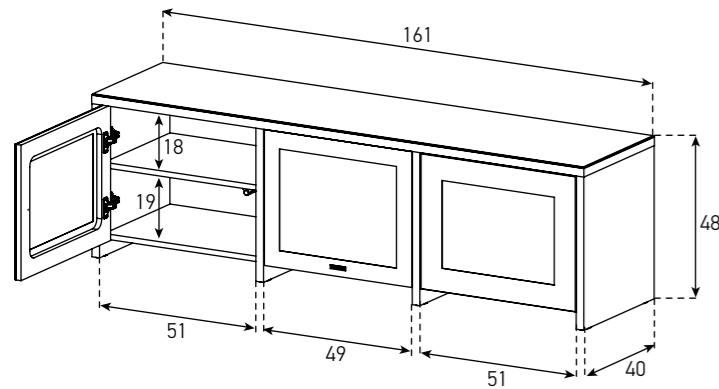
LB 1840-WHT

-  MAX TOP LOAD
80 KG
-  IDEAL SCREEN SIZE
70"





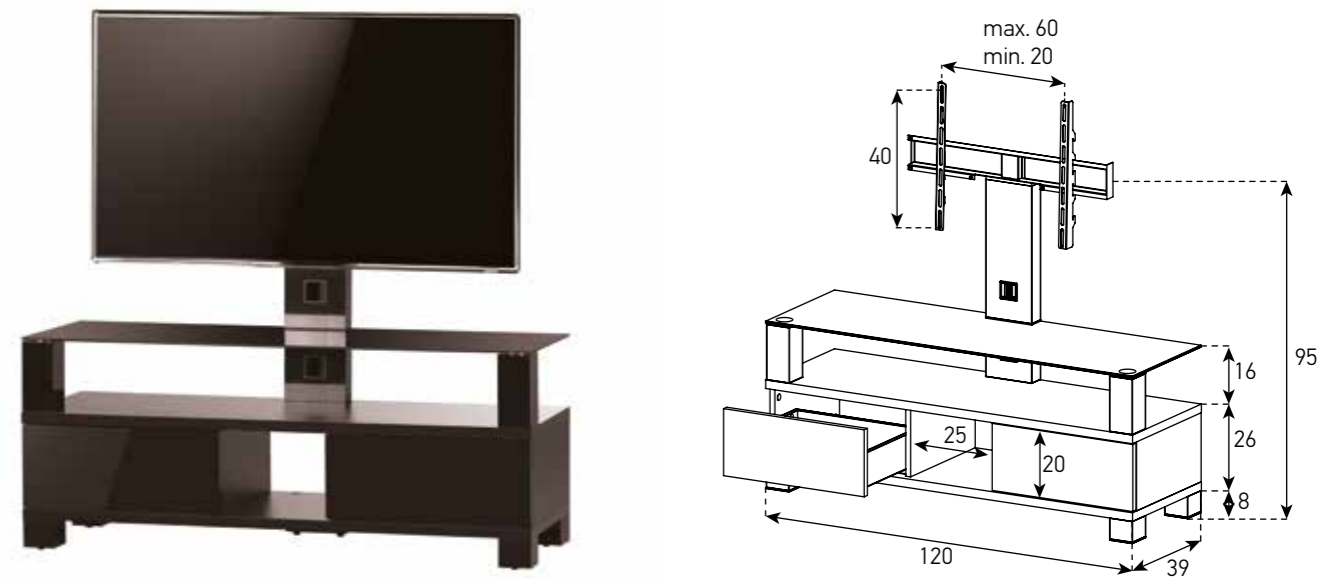
LB 1621-B-BLK

-  MAX TOP LOAD
80 KG
-  IDEAL SCREEN SIZE
70"



LB 1123-B-HBLK-BLK

-  MAX BRACKET LOAD
40 KG
-  IDEAL SCREEN SIZE
50"



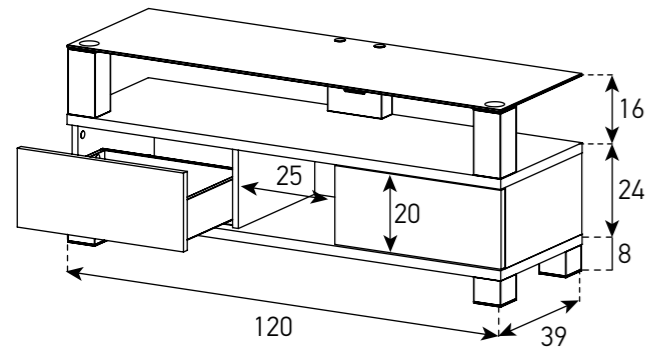
LB 2120-B-HBLK-BLK



MAX TOP LOAD
50 KG



IDEAL SCREEN SIZE
50"



LB 2120-B-HBLK-BLK



TRN & TRD SERIES

TRN

TOP PANEL BLACK TEMPERED GLASS
 WOOD CABINET WITH FLAP DOOR AND/OR DRAWERS
 HIDDEN CASTORS
 SHELVES FOR A/V EQUIPMENTS

TRD

WOOD CABINET WITH FLAP DOWN OR SIDE OPENING DOORS
 SHELVES FOR A/V EQUIPMENTS

- | | | | |
|----------|----------|----------|----------|
| TRN 1953 | TRN 2095 | TRN 3110 | TRD 90* |
| TRN 1113 | TRN 2110 | TRN 3114 | TRD 100* |
| TRN 1133 | TRN 2130 | TRN 3210 | TRD 120* |
| | | TRN 3214 | TRD 150* |

GLASS COLORS

B-BLACK



BODY COLORS

BLK-BLACK



WHT-WHITE



DOOR COLORS

GBLK-GLOSSY BLACK



GWHT-GLOSSY WHITE



WNT-WALNUT



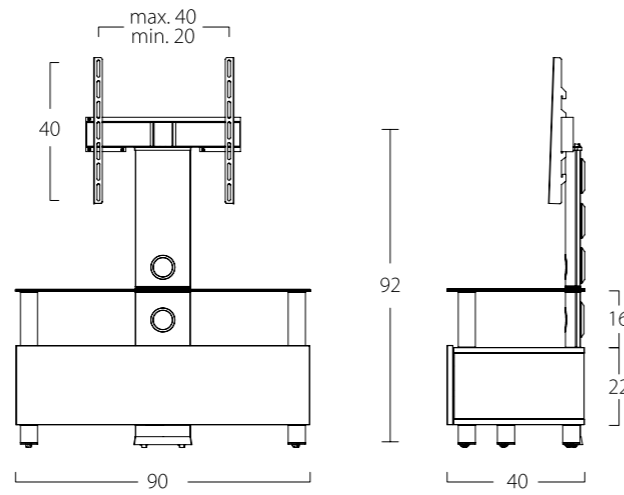
MOL-MOLINA



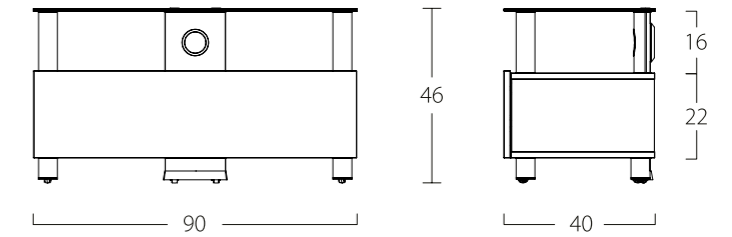
APL-APPLE



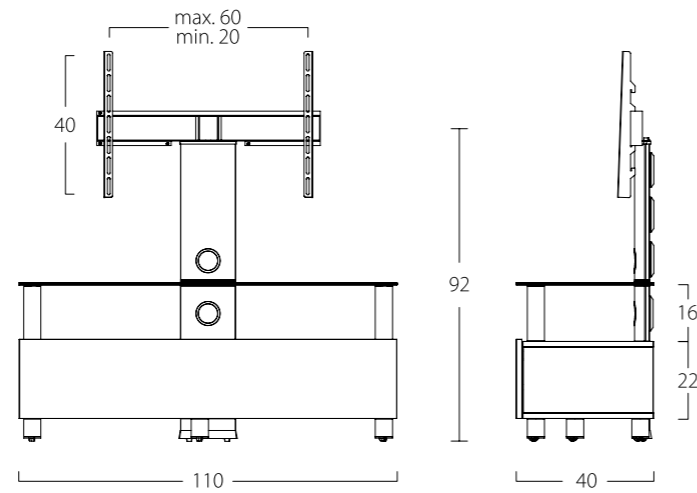
TRN 1953 | MAXIMUM BRACKET LOAD 49 KG | MAXIMUM SCREEN SIZE 46"



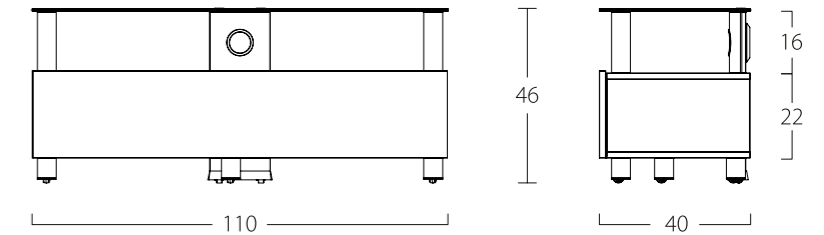
TRN 2095 | MAXIMUM TOP LOAD 49 KG | MAXIMUM SCREEN SIZE 46"



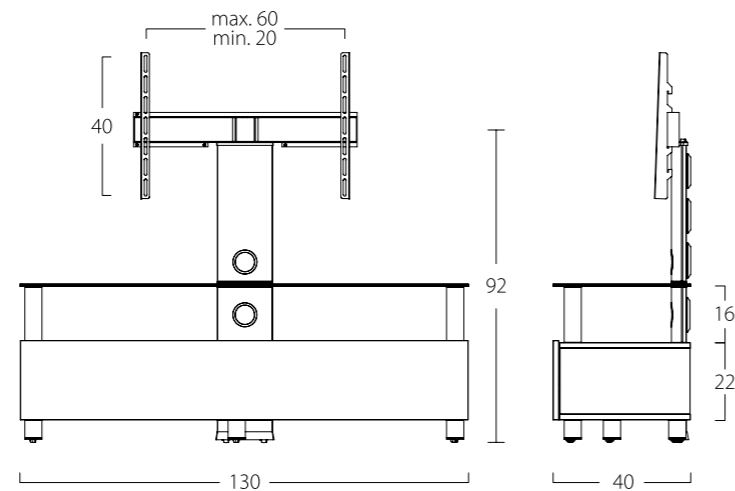
TRN 1113 | MAXIMUM BRACKET LOAD 59 KG | MAXIMUM SCREEN SIZE 46"



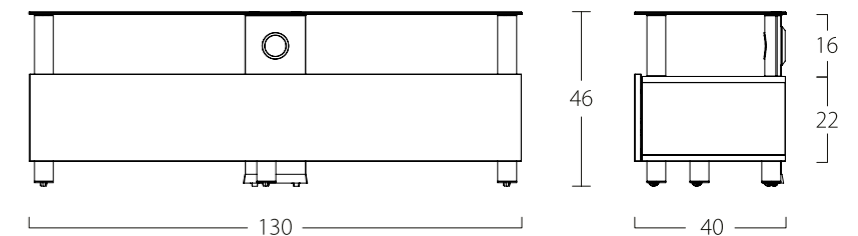
TRN 2110 | MAXIMUM TOP LOAD 59 KG | MAXIMUM SCREEN SIZE 46"



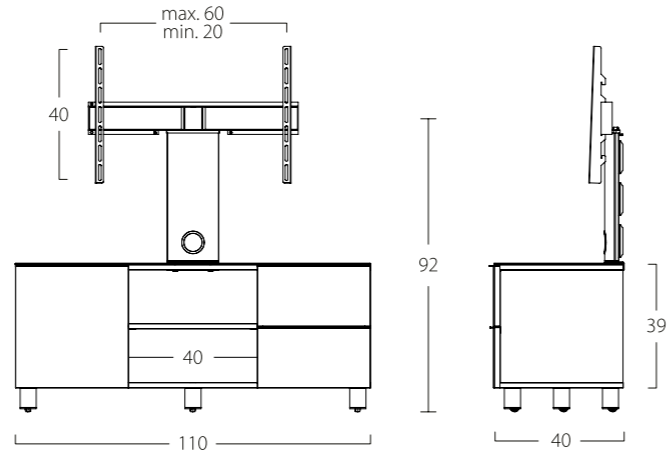
TRN 1133 | MAXIMUM BRACKET LOAD 59 KG | MAXIMUM SCREEN SIZE 55"



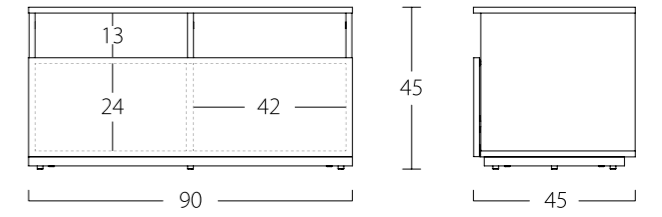
TRN 2130 | MAXIMUM LOAD 59 KG | MAXIMUM SCREEN SIZE 55"



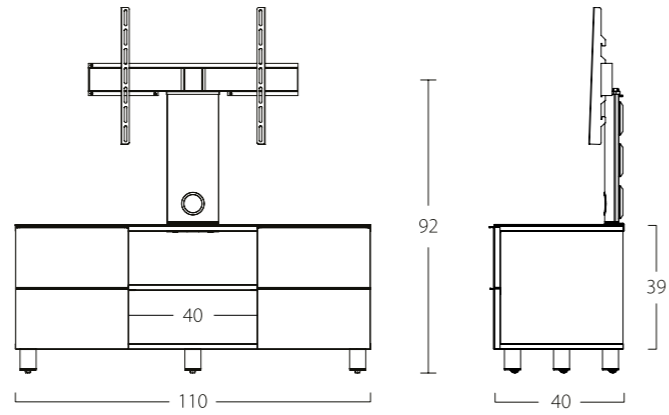
TRN 3110 | MAXIMUM BRACKET LOAD 39 KG | MAXIMUM SCREEN SIZE 46"



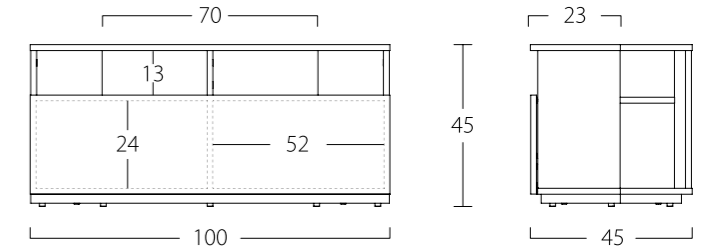
TRD 90 | MAXIMUM TOP LOAD 59 KG | MAXIMUM SCREEN SIZE 42"



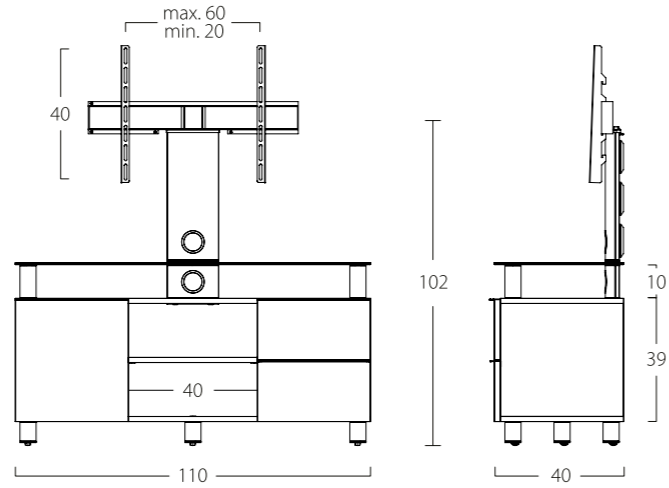
TRN 3114 | MAXIMUM BRACKET LOAD 39 KG | MAXIMUM SCREEN SIZE 46"



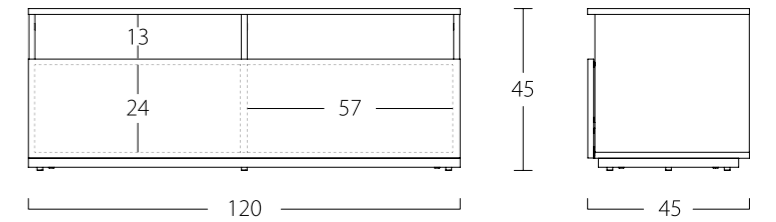
TRD 100 | MAXIMUM TOP LOAD 59 KG | MAXIMUM SCREEN SIZE 59"



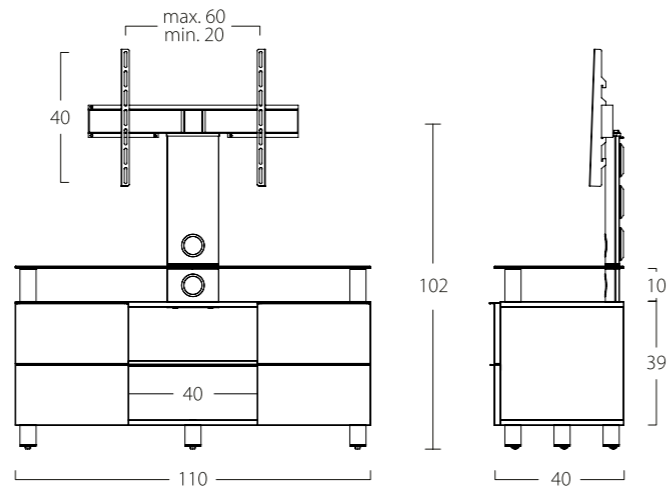
TRN 3210 | MAXIMUM BRACKET LOAD 39 KG | MAXIMUM SCREEN SIZE 46"



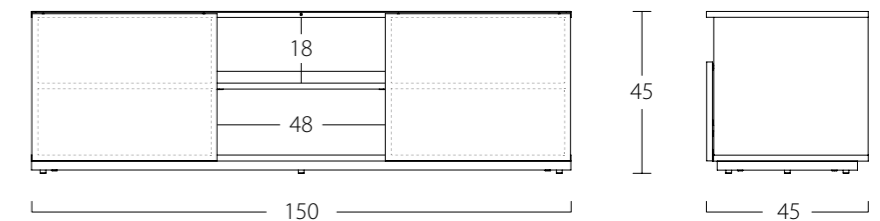
TRD 120 | MAXIMUM TOP LOAD 59 KG | MAXIMUM SCREEN SIZE 55"



TRN 3214 | MAXIMUM BRACKET LOAD 39 KG | MAXIMUM SCREEN SIZE 46"



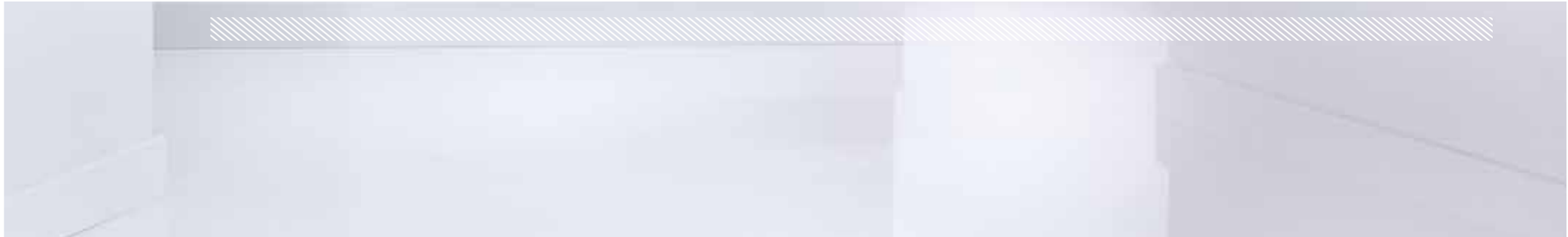
TRD 150 | MAXIMUM TOP LOAD 59 KG | MAXIMUM SCREEN SIZE 66"





002

GLASS & METAL SERIES



PL SERIES

TEMPERED GLASS WITH FLAT POLISHED EDGE
 ELLIPTICAL OR RECTANGLE SHAPED ALUMINIUM
 INTEGRATED CABLE MANAGEMENT SYSTEM
 HIDDEN CASTERS
 SWIVEL SYSTEM
 ADJUSTABLE HEIGHT FOR BRACKET

PL 2000	PL 2335	PL 2500	PL 2700	PL 3110
PL 2100	PL 2344	PL 2510	PL 2710	PL 3115
PL 2130	PL 2345	PL 2511	PL 2800	PL 3150
PL 2195	PL 2400	PL 2515	PL 2810	PL 3400
PL 2200	PL 2430	PL 2610	PL 3100	PL 3405
PL 2310	PL 2495	PL 2611	PL 3105	PL 3410
		PL 2620		PL 3415



ALUMINIUM COLORS

SLV-SILVER



HBLK-HIGH GLOSS BLACK



INX-INOX



GLASS COLORS


C-CLEAR

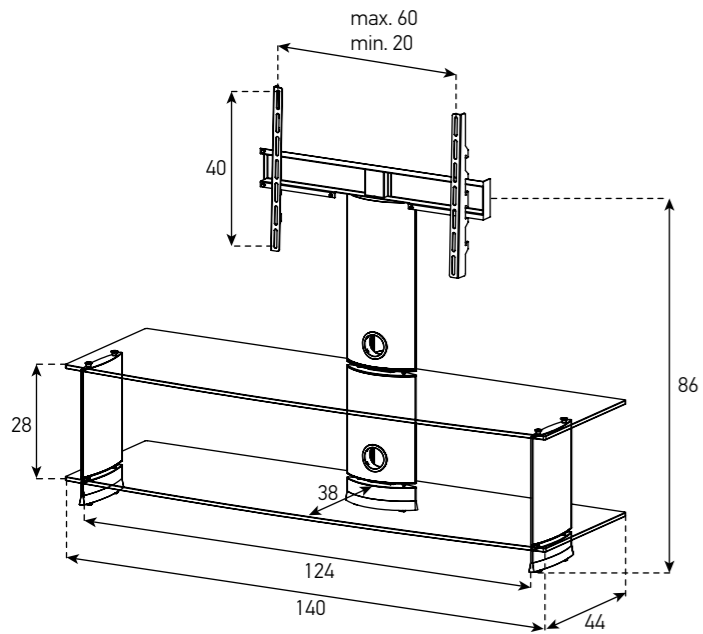


B-PIANOBLACK





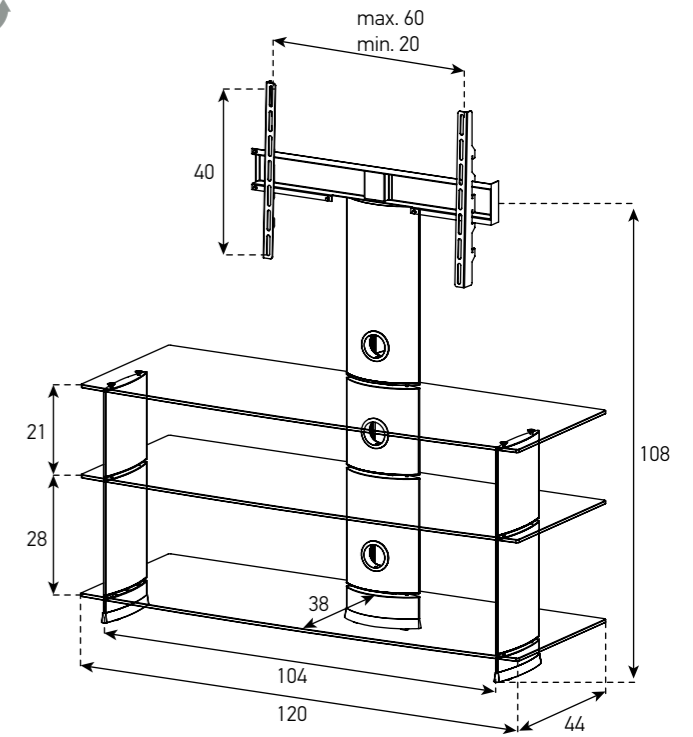
PL 2000-C-SLV

-  MAX BRACKET LOAD
60 KG
-  IDEAL SCREEN SIZE
60"





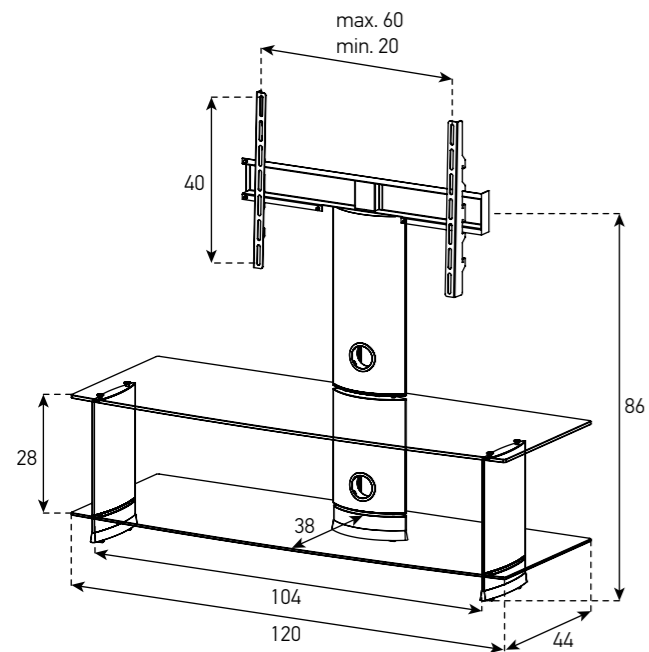
PL 2130-B-HBLK

-  MAX BRACKET LOAD
50 KG
-  IDEAL SCREEN SIZE
50"





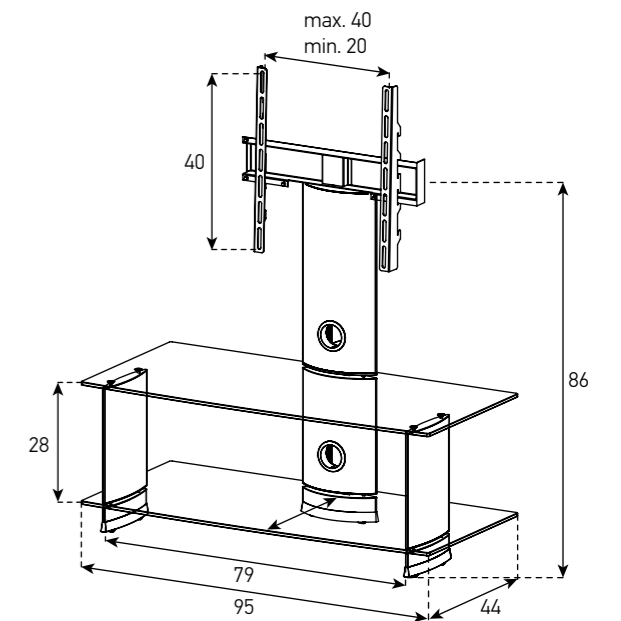
PL 2100-B-SLV

-  MAX BRACKET LOAD
50 KG
-  IDEAL SCREEN SIZE
50"





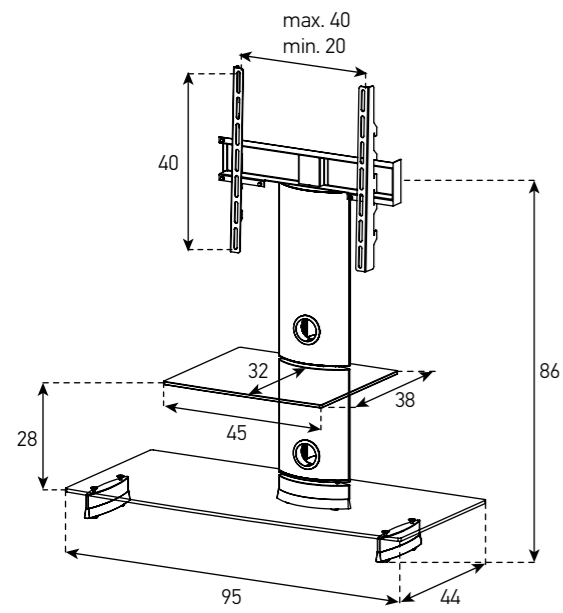
PL 2195-B-HBLK

-  MAX BRACKET LOAD
50 KG
-  IDEAL SCREEN SIZE
40"





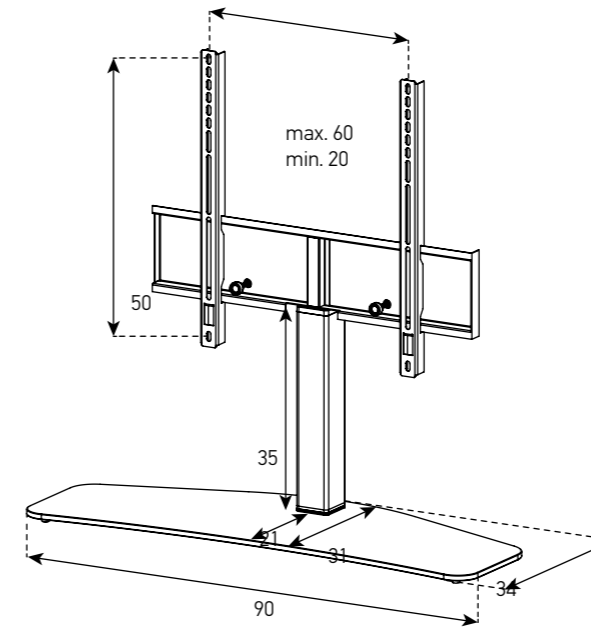
PL 2200-B-SLV

-  MAX BRACKET LOAD
30 KG
-  IDEAL SCREEN SIZE
40"





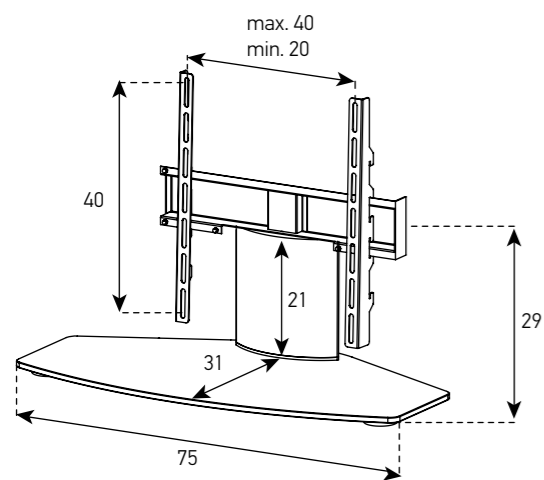
PL 2335-B-HBLK

-  MAX BRACKET LOAD
40 KG
-  IDEAL SCREEN SIZE
60"





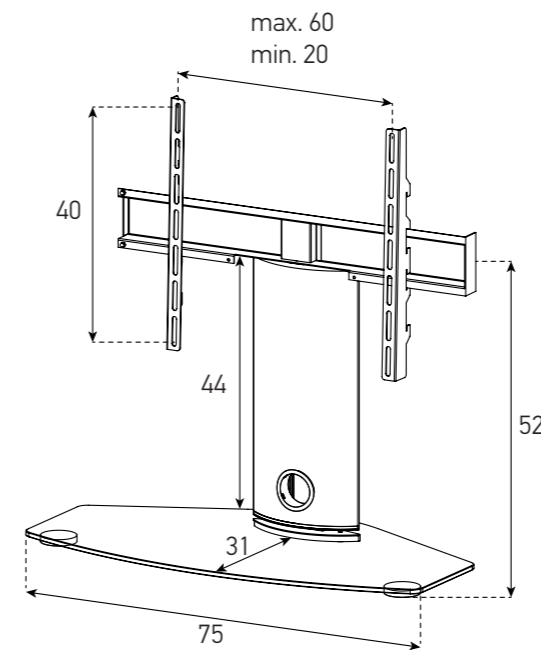
PL 2310-C-SLV

-  MAX TOP LOAD
50 KG
-  IDEAL SCREEN SIZE
50"





PL 2344-B-BLK

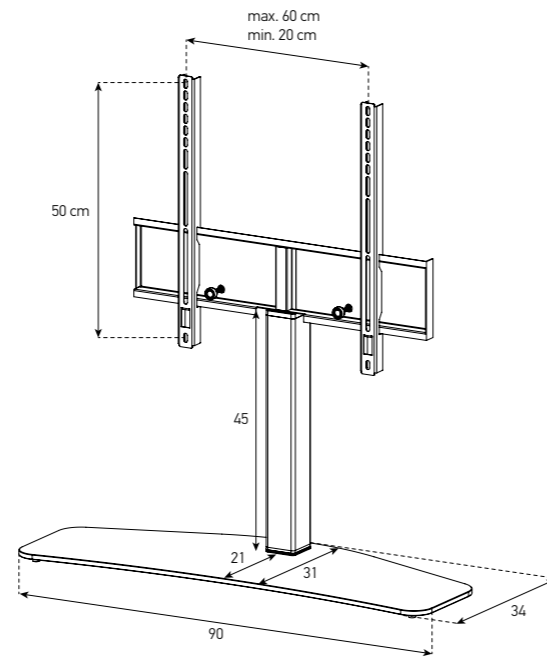
-  MAX BRACKET LOAD
50 KG
-  IDEAL SCREEN SIZE
50"




PL 2345-B-BLK

-  MAX BRACKET LOAD
40 KG
-  IDEAL SCREEN SIZE
60"

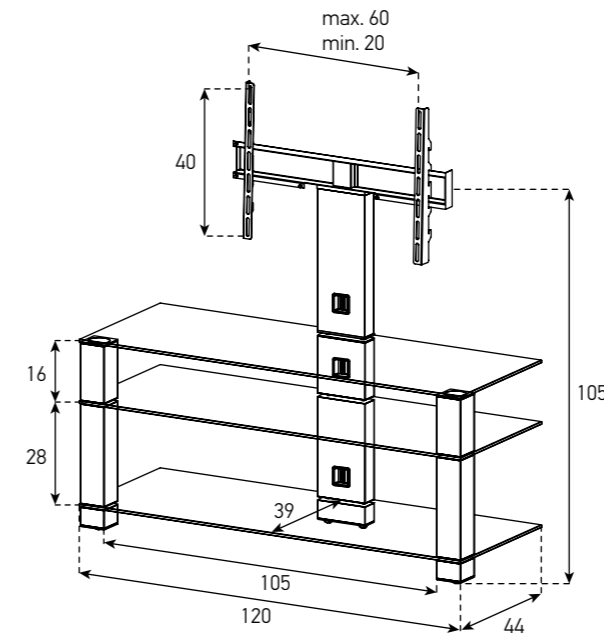
45°





PL 2430-B-INX

-  MAX BRACKET LOAD
50 KG
-  IDEAL SCREEN SIZE
50"

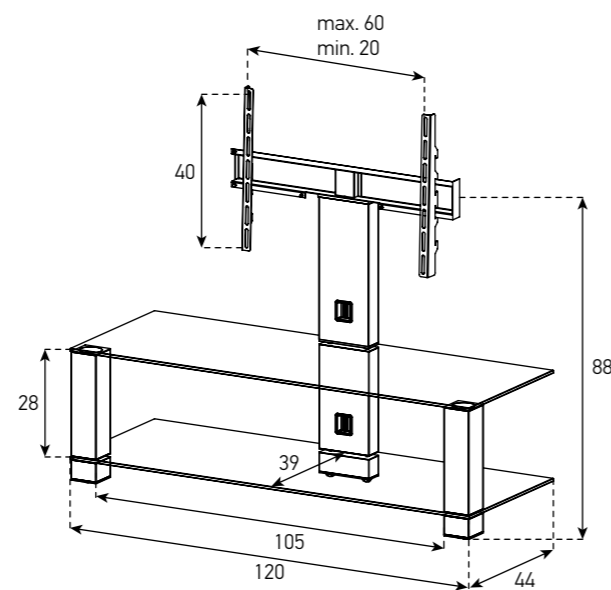
24°




PL 2400-B-INX

-  MAX BRACKET LOAD
50 KG
-  IDEAL SCREEN SIZE
50"

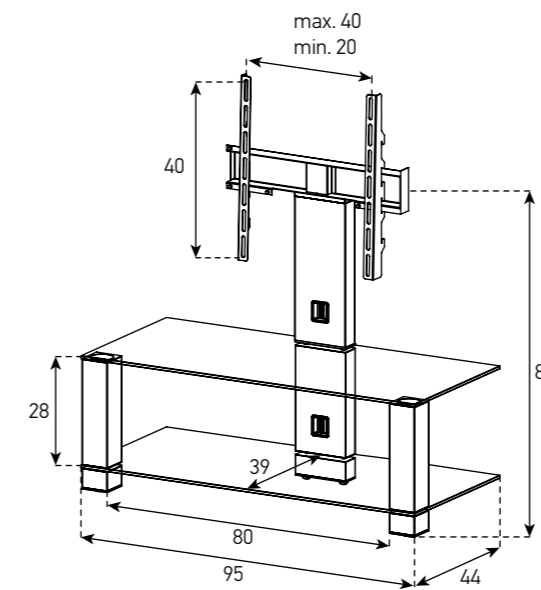
24°



PL 2495-C-INX

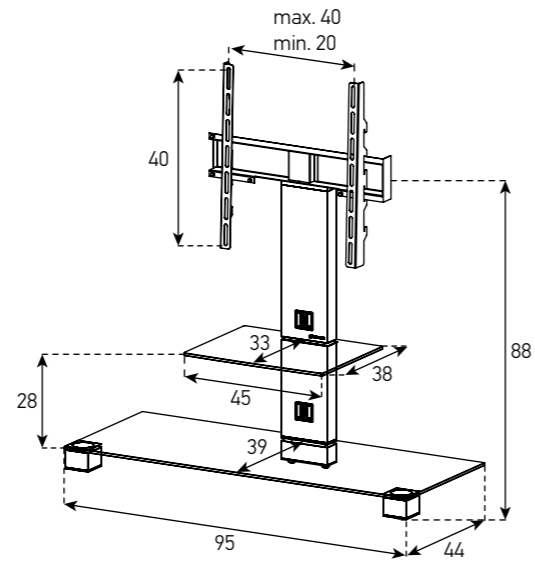
-  MAX BRACKET LOAD
40 KG
-  IDEAL SCREEN SIZE
40"

24°



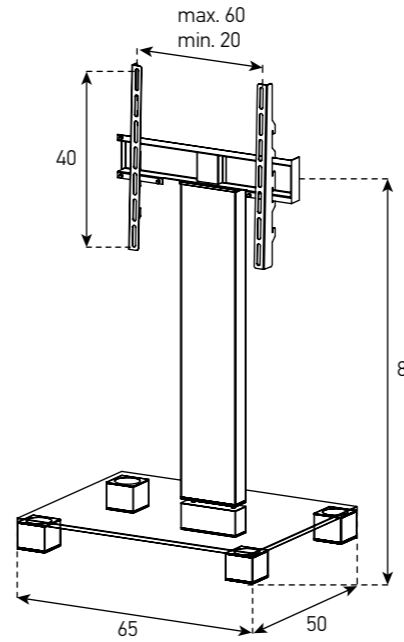
PL 2500-B-INX

- MAX BRACKET LOAD
30 KG
- IDEAL SCREEN SIZE
40"



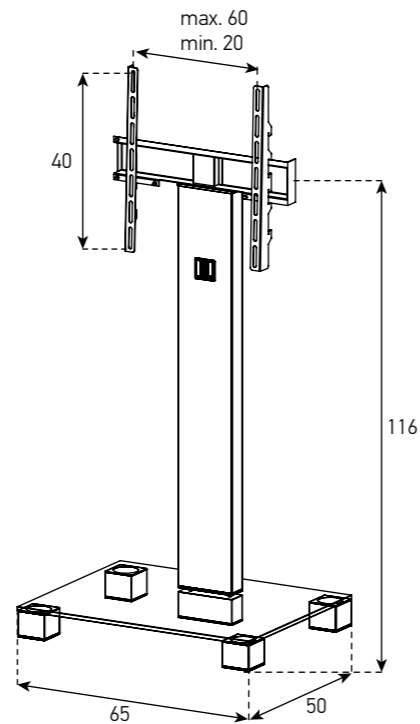
PL 2511-C-INX

- MAX BRACKET LOAD
50 KG
- IDEAL SCREEN SIZE
50"



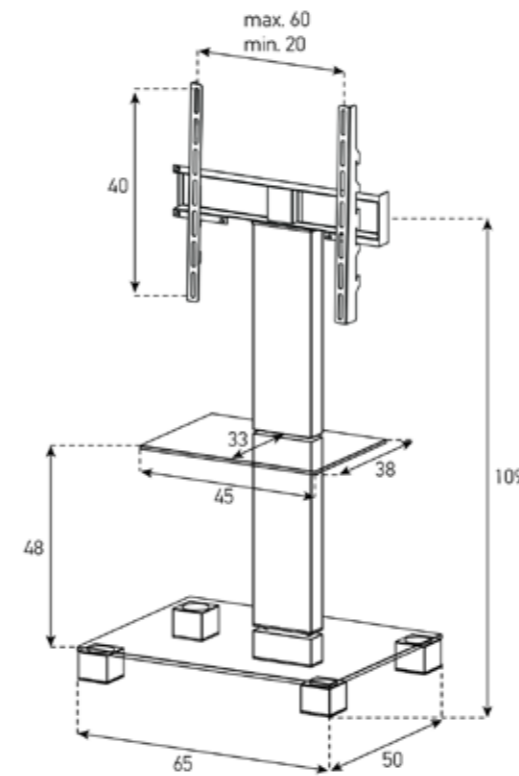
PL 2510-B-INX

- MAX BRACKET LOAD
50 KG
- IDEAL SCREEN SIZE
60"





PL 2515-B-HBLK

- MAX BRACKET LOAD
50 KG
- IDEAL SCREEN SIZE
50"



PL 2700-BLK-SLV

 MAX BRACKET LOAD
30 KG
 IDEAL SCREEN SIZE
55"

45°

GLASS COLOR OPTIONS

WHT-WHITE



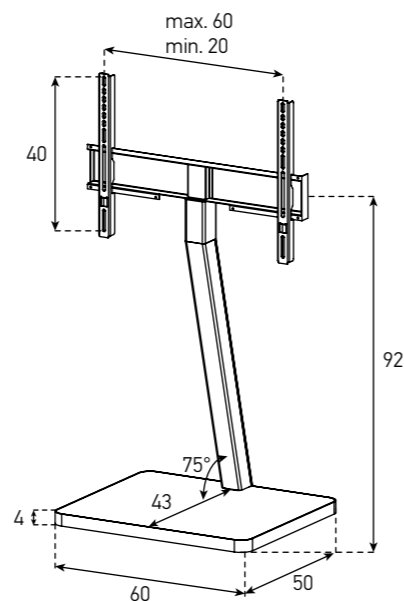
RED-RED





BLK-BLACK



GRP-GRAPHITE



PL 2800-WHT

 MAX BRACKET LOAD
30 KG
 IDEAL SCREEN SIZE
55"

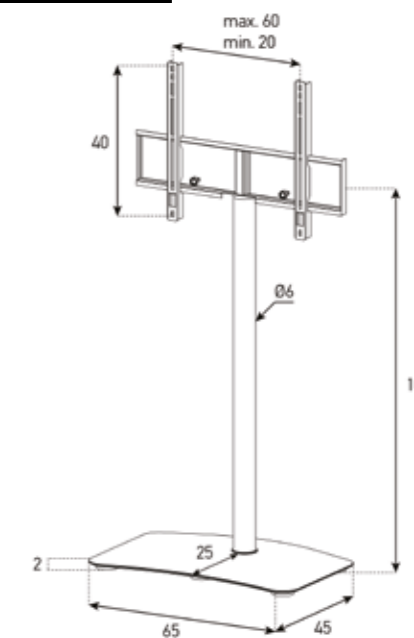
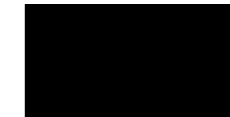
45°

GLASS COLOR OPTIONS


WHT-WHITE



BLK-BLACK



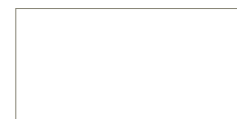
PL 2710-BLK-SLV

 MAX BRACKET LOAD
30 KG
 IDEAL SCREEN SIZE
55"

45°

GLASS COLOR OPTIONS

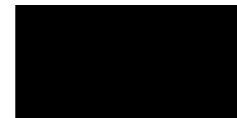
WHT-WHITE



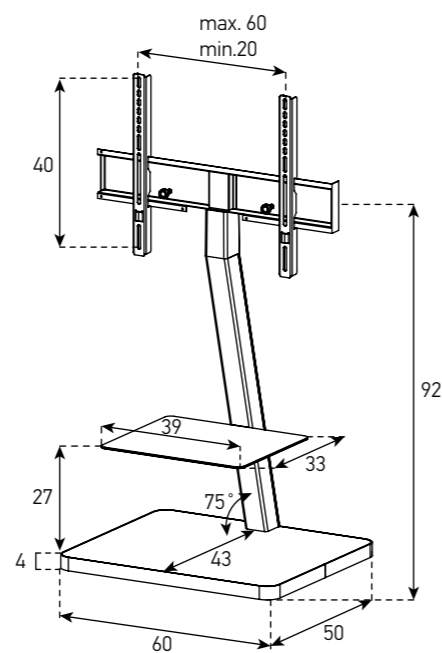
RED-RED



BLK-BLACK



GRP-GRAPHITE



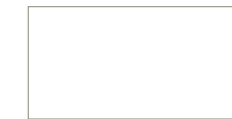
PL 2810-BLK

 MAX BRACKET LOAD
30 KG
 IDEAL SCREEN SIZE
55"

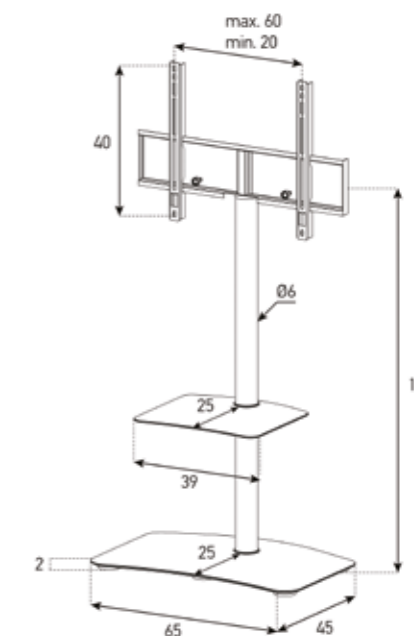
45°

GLASS COLOR OPTIONS

WHT-WHITE

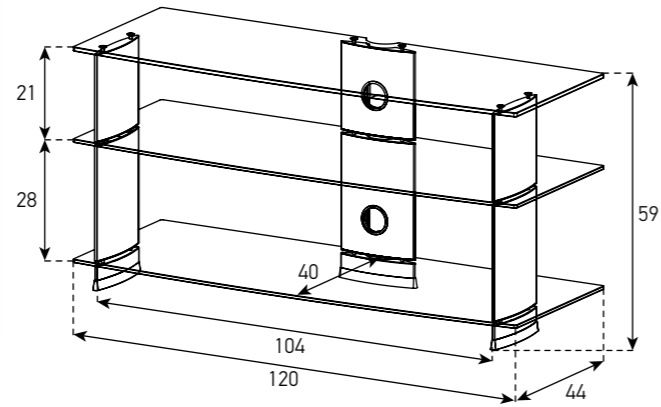


BLK-BLACK



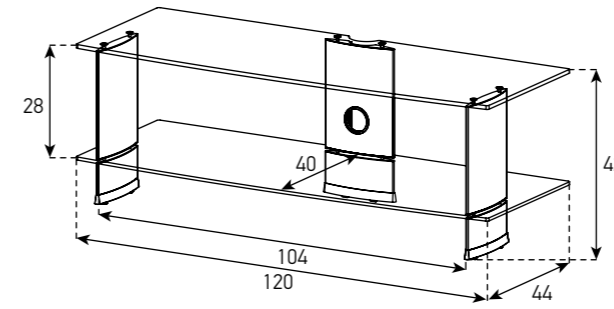
PL 3100-B-SLV

- MAX TOP LOAD
50 KG
- IDEAL SCREEN SIZE
50"



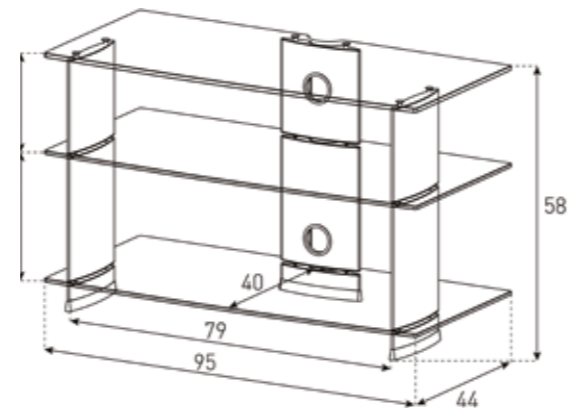
PL 3110-B-SLV

- MAX TOP LOAD
50 KG
- IDEAL SCREEN SIZE
50"



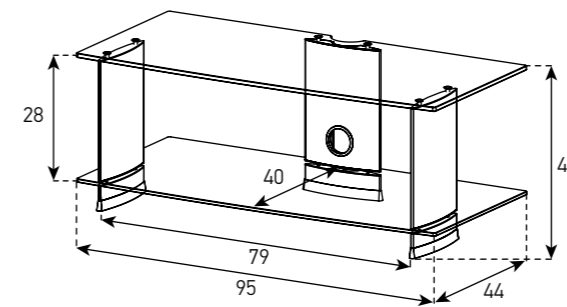
PL 3105-C-SLV

- MAX TOP LOAD
40 KG
- IDEAL SCREEN SIZE
40"





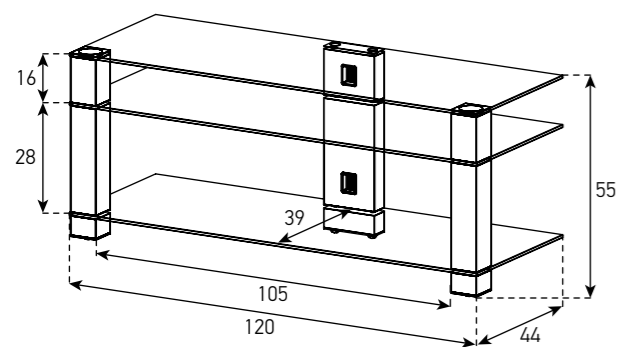
PL 3115-B-HBLK

- MAX TOP LOAD
40 KG
- IDEAL SCREEN SIZE
40"





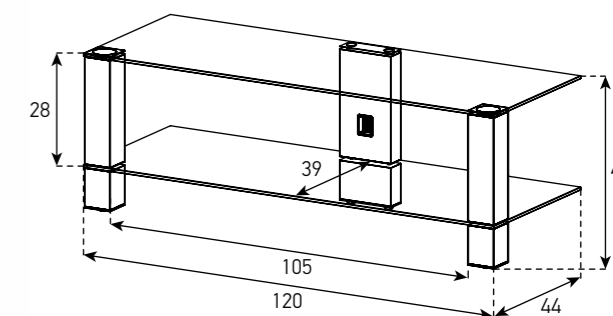
PL 3400-B-INX

 MAX TOP LOAD
50 KG
 IDEAL SCREEN SIZE
50"



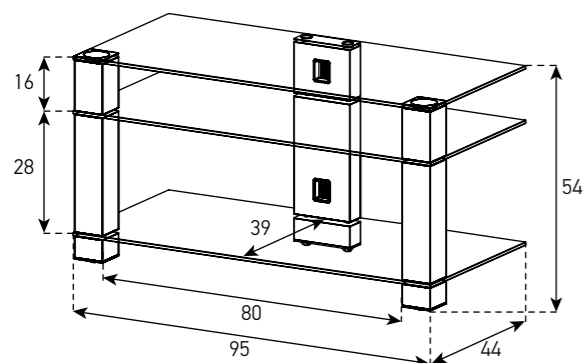
PL 3410-B-HBLK

 MAX TOP LOAD
50 KG
 IDEAL SCREEN SIZE
50"




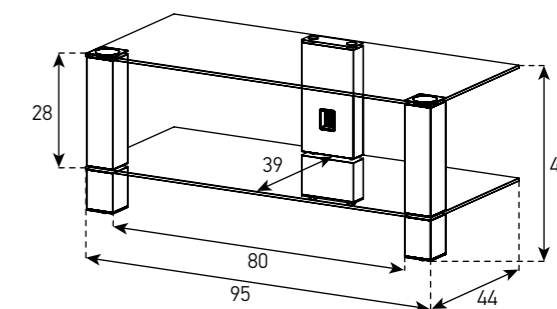
PL 3405-C-INX

 MAX TOP LOAD
40 KG
 IDEAL SCREEN SIZE
40"





PL 3415-C-INX

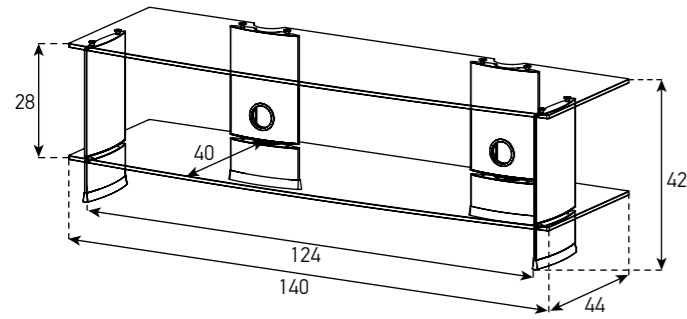
 MAX TOP LOAD
40 KG
 IDEAL SCREEN SIZE
40"



PL 3150-C-SLV

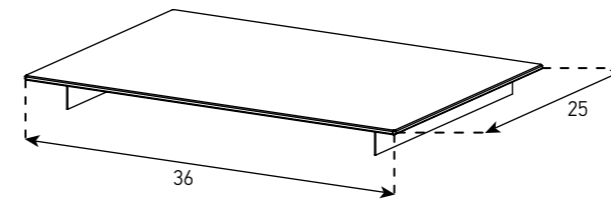
 MAX TOP LOAD
60 KG

 IDEAL SCREEN SIZE
60"



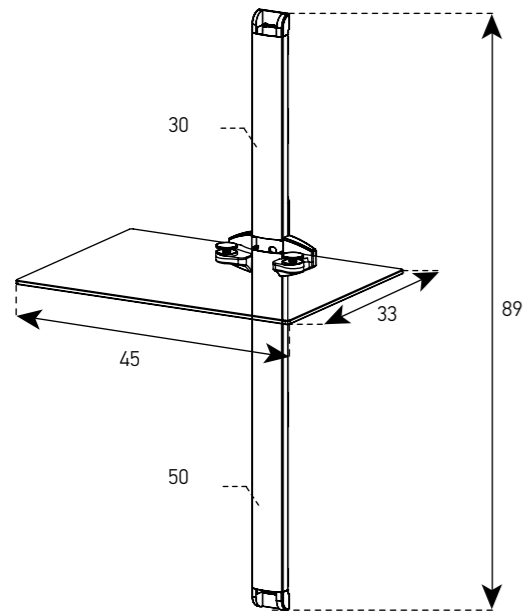
PL 2611

 MAX LOAD
5 KG



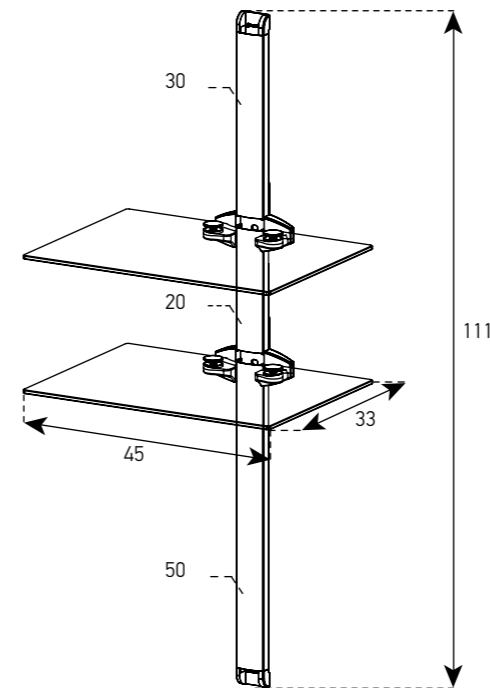
PL 2610-B-BLK

 MAX SHELF LOAD
5 KG



PL 2620-B-SLV

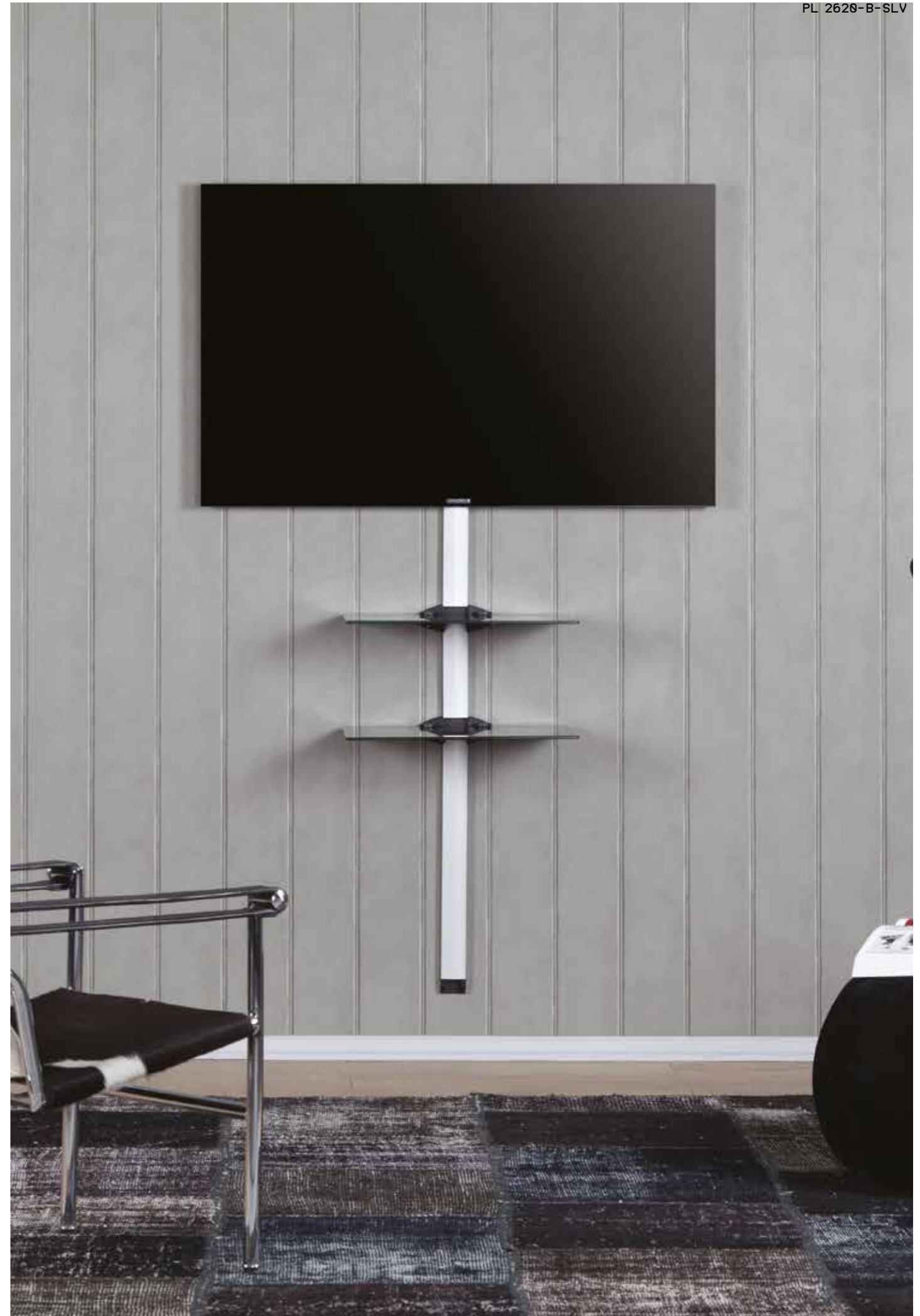
 MAX SHELF LOAD
5 KG



PL 2810-WHT
SP 100-WHT



PL 2620-B-SLV



NEO SERIES

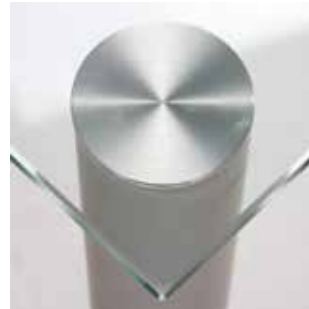
SPECIFICATIONS

- TEMPERED GLASS WITH FLAT POLISHED EDGE
- CYLINDRICAL AND ELLIPTICAL SHAPED ALUMINIUM PROFILES
- INTEGRATED CABLE MANAGEMENT SYSTEM
- HIDDEN CASTERS

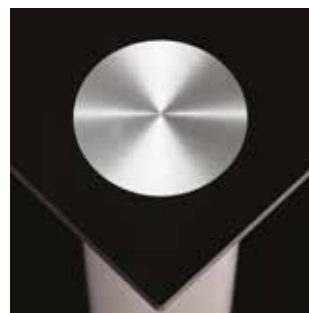
NEO 270	NEO 370	NEO 80	NEO 95	NEO 953
NEO 290	NEO 390	NEO 81	NEO 110	NEO 1103
NEO 2110	NEO 3110	NEO 803	NEO 130	NEO 1303
	NEO 3130			

GLASS COLORS

C-CLEAR



B-BLACK





ALUMINIUM COLORS

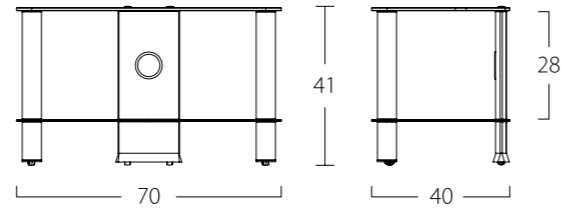
SILVER





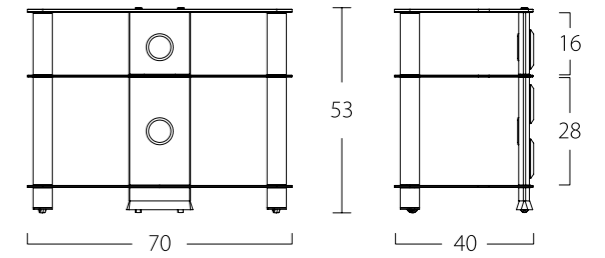
HIGH GLOSS BLACK





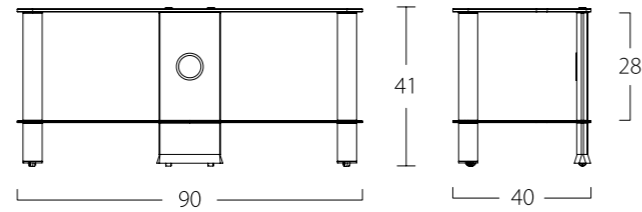
NEO 270 |  MAXIMUM TOP LOAD 50 KG |  MAXIMUM SCREEN SIZE 32"





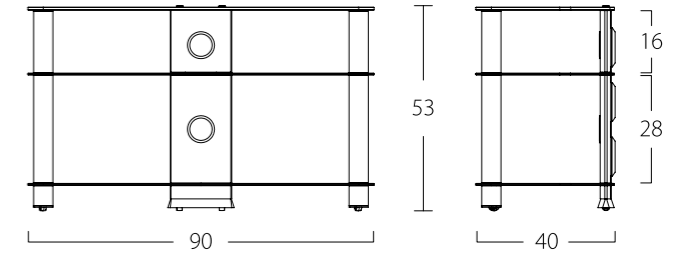
NEO 370 |  MAXIMUM TOP LOAD 50 KG |  MAXIMUM SCREEN SIZE 32"





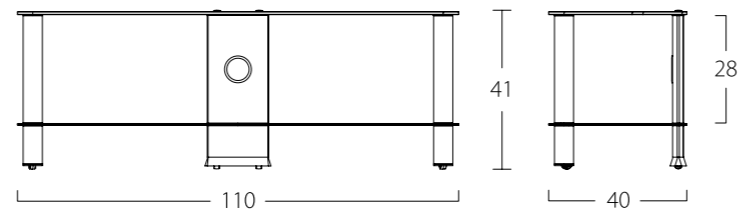
NEO 290 |  MAXIMUM TOP LOAD 50 KG |  MAXIMUM SCREEN SIZE 49"





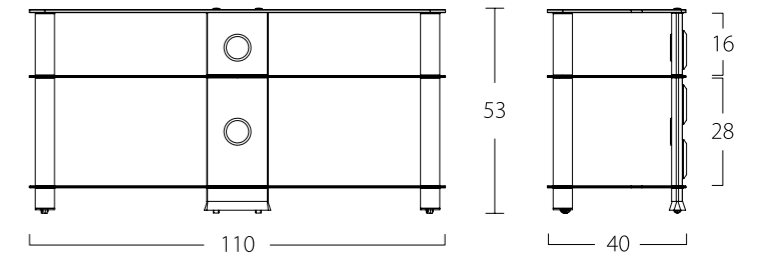
NEO 390 |  MAXIMUM TOP LOAD 50 KG |  MAXIMUM SCREEN SIZE 49"





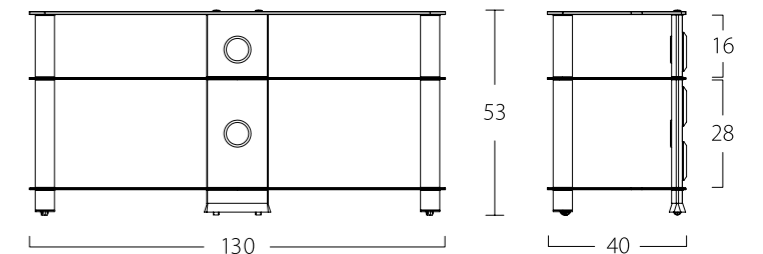
NEO 2110 |  MAXIMUM TOP LOAD 50 KG |  MAXIMUM SCREEN SIZE 46"



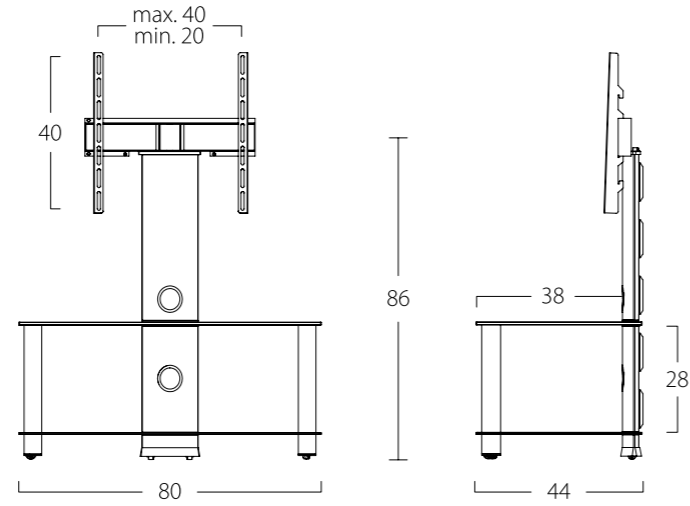
NEO 3110 |  MAXIMUM TOP LOAD 50 KG |  MAXIMUM SCREEN SIZE 46"



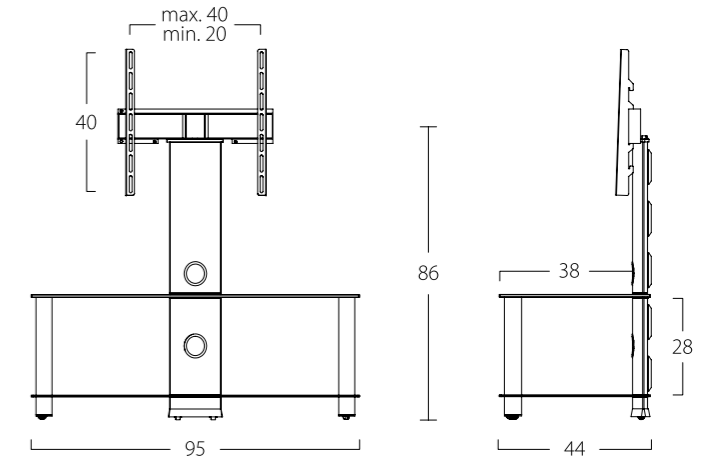
NEO 3130 |  MAXIMUM TOP LOAD 50 KG |  MAXIMUM SCREEN SIZE 55"



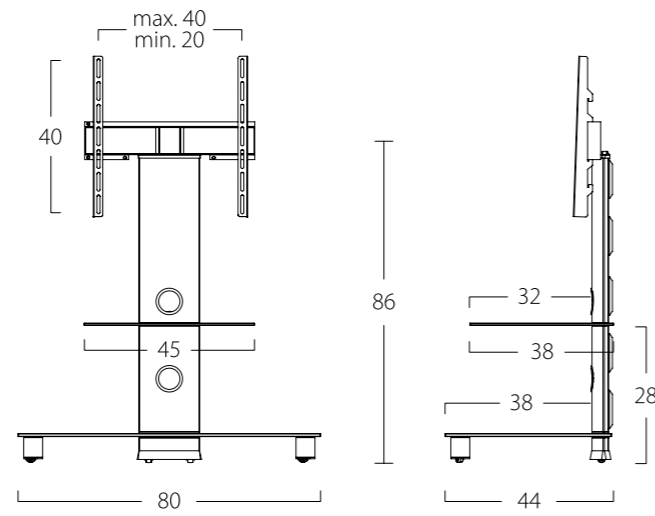
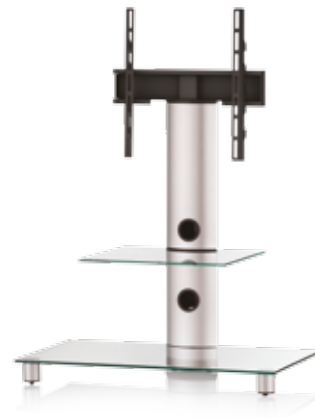
NEO 80 | MAXIMUM BRACKET LOAD 30 KG | MAXIMUM SCREEN SIZE 32"



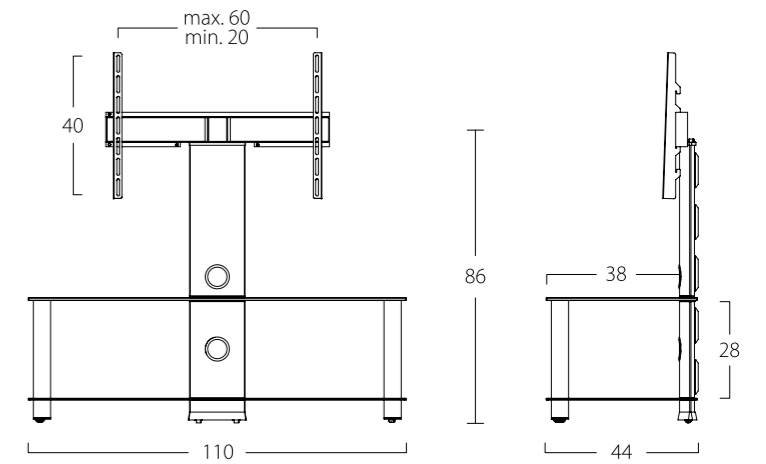
NEO 95 | MAXIMUM BRACKET LOAD 40 KG | MAXIMUM SCREEN SIZE 40"



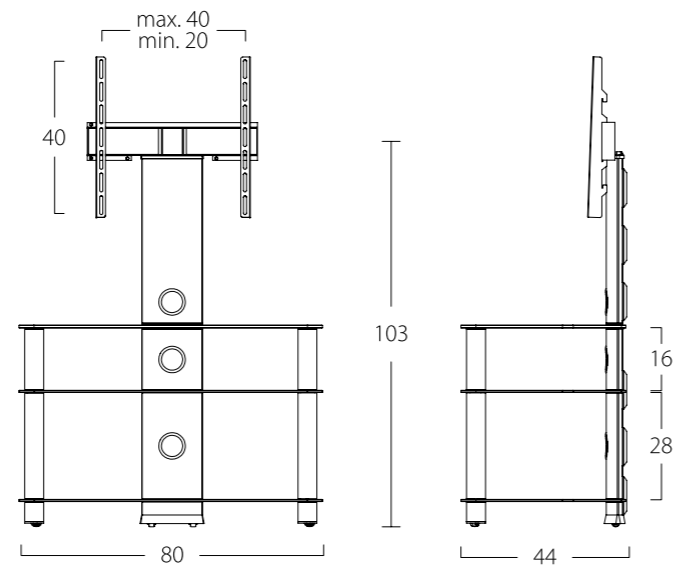
NEO 81 | MAXIMUM BRACKET LOAD 30 KG | MAXIMUM SCREEN SIZE 32"



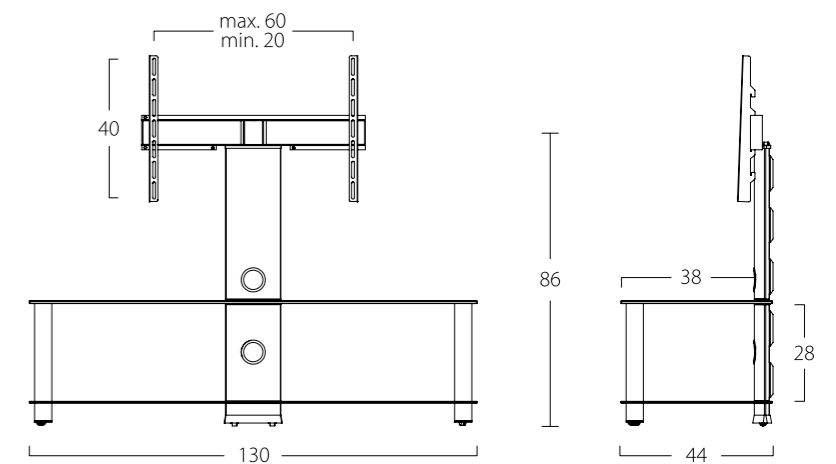
NEO 110 | MAXIMUM BRACKET LOAD 40 KG | MAXIMUM SCREEN SIZE 46"

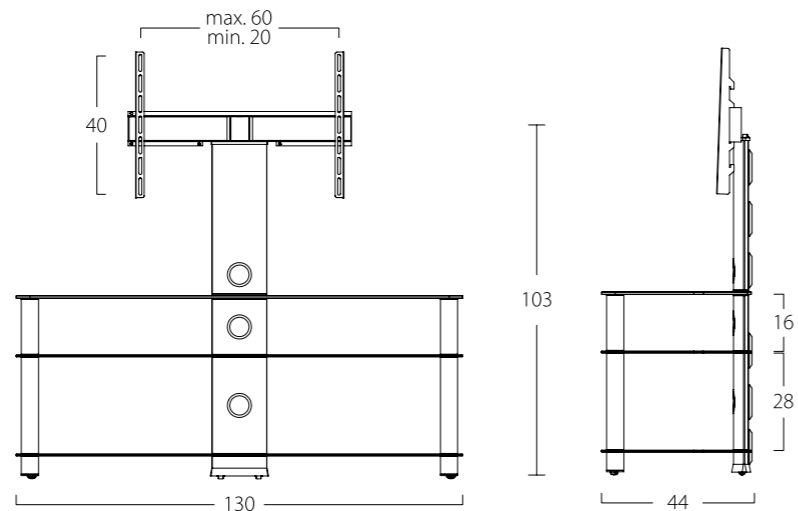
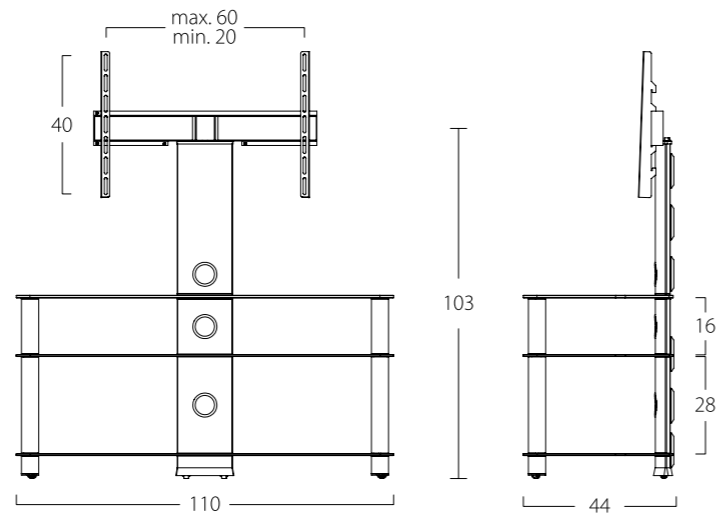
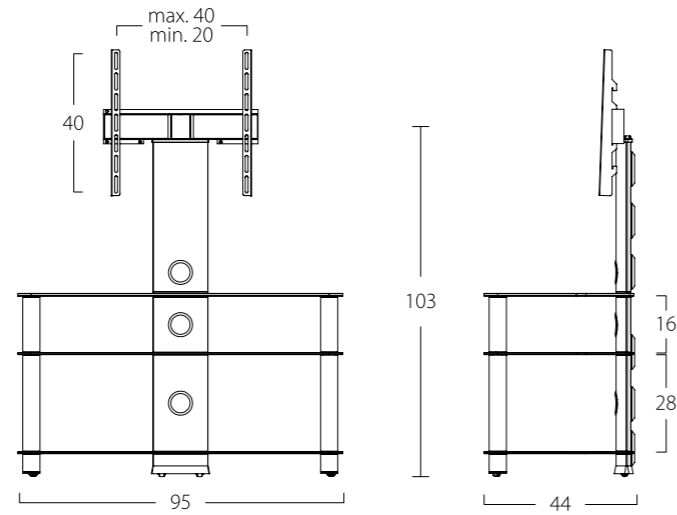


NEO 803 | MAXIMUM BRACKET LOAD 40 KG | MAXIMUM SCREEN SIZE 32"



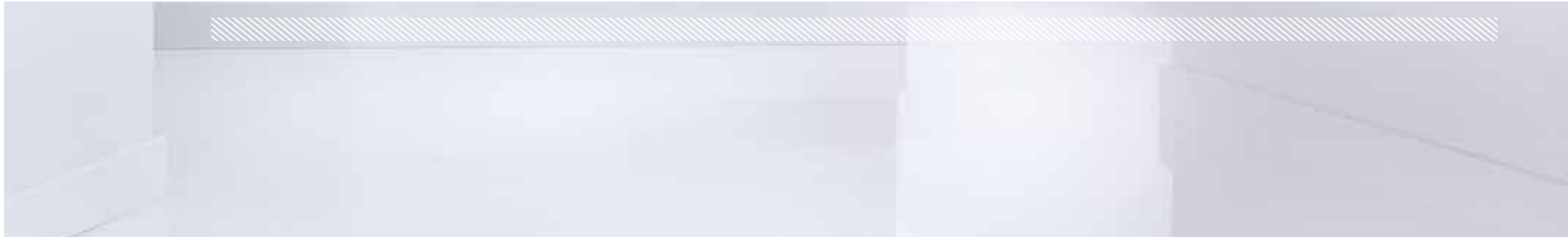
NEO 130 | MAXIMUM BRACKET LOAD 40 KG | MAXIMUM SCREEN SIZE 55"





003

SOUND SYSTEMS



SOUND SYSTEMS

ROXY

TEMPERED GLASS WITH FLAT POLISHED EDGE
Ø 60 MM AND ELLIPTICAL SHAPED ALUMINIUM
SQUARE SHAPED ALUMINIUM FOR RX 5040
INTEGRATED CABLE MANAGEMENT SYSTEM (NOT AVAILABLE FOR RX 5040)

SPEAKER

UNIVERSAL COMPATIBILITY
ADJUSTABLE HEIGHT (FOR SP 300)

RX 2130	SP 100 **
RX 2140	SP 200
RX 2150	SP 300
RX 5040*	SP 500

ALUMINIUM COLORS

SLV-SILVER



HBLK-HIGH GLOSS BLACK



INX-INOX



GLASS COLORS

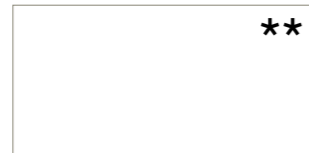
C-CLEAR



B-PIANOBLACK

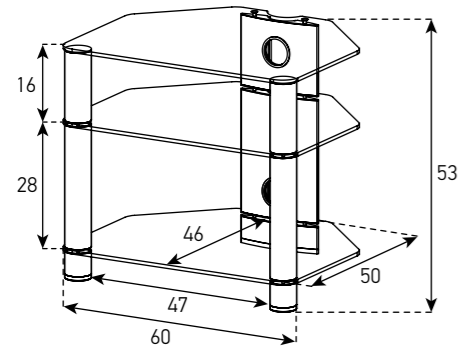


WHT-WHITE



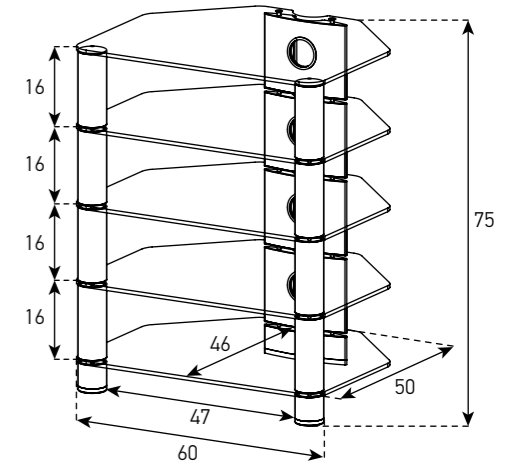
RX 2130-B-HBLK

 MAX TOP LOAD
40 KG



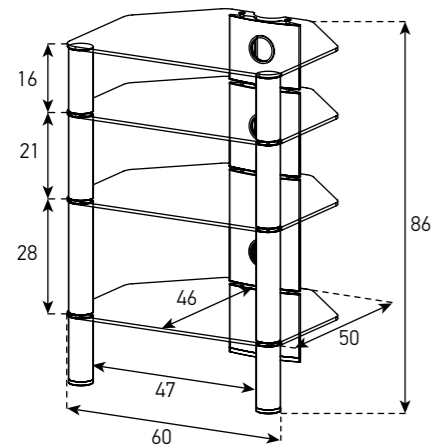
RX 2150-C-SLV

 MAX TOP LOAD
40 KG



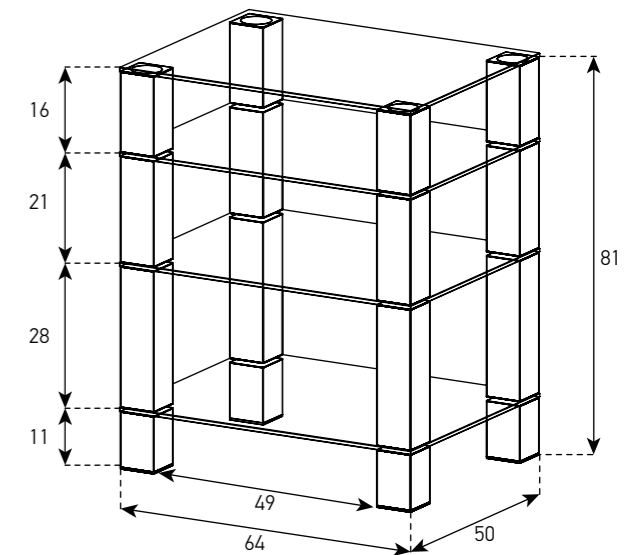
RX 2140-B-SLV

 MAX TOP LOAD
40 KG

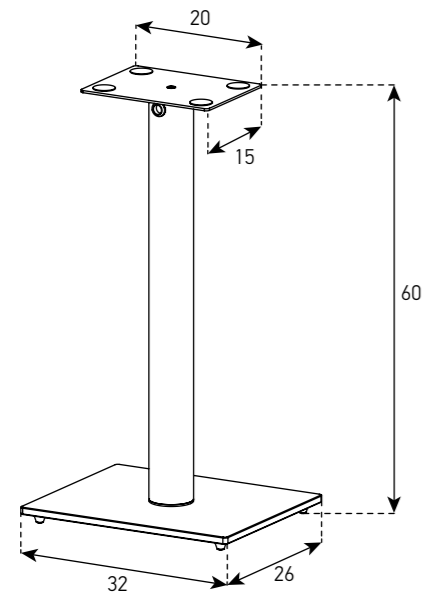


RX 5040-B-INX

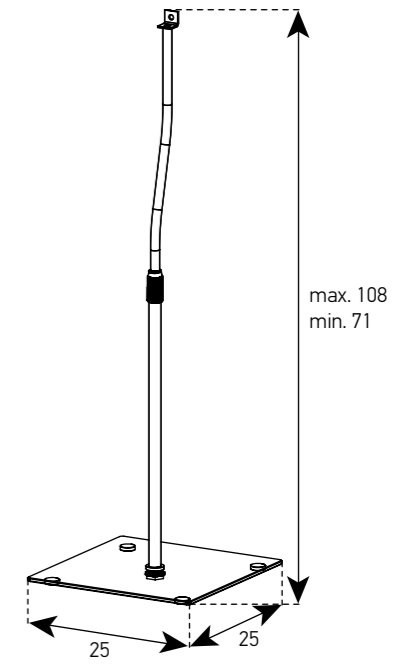
 MAX TOP LOAD
40 KG



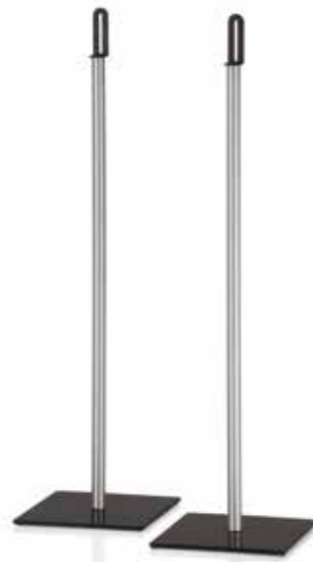
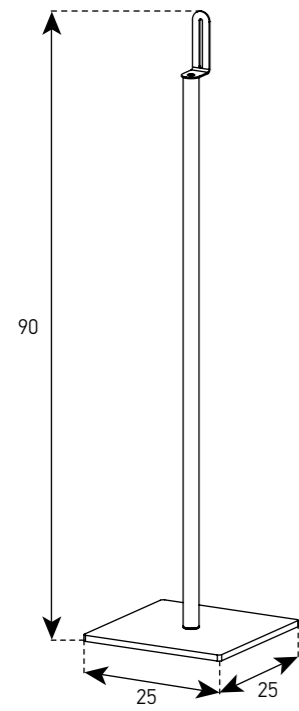
SP 100-BLK



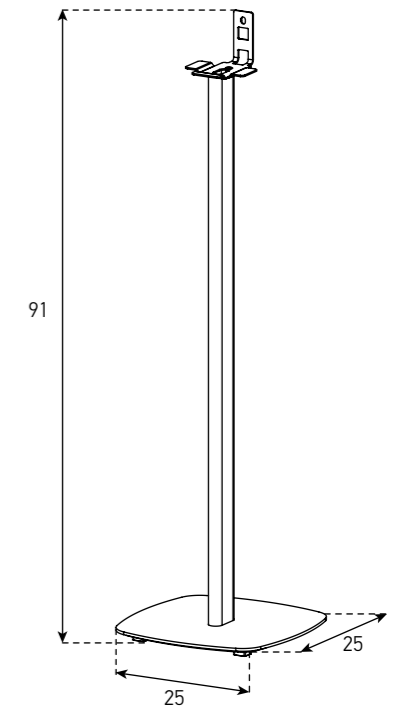
SP 300-B-HBLK



SP 200-B-SLV

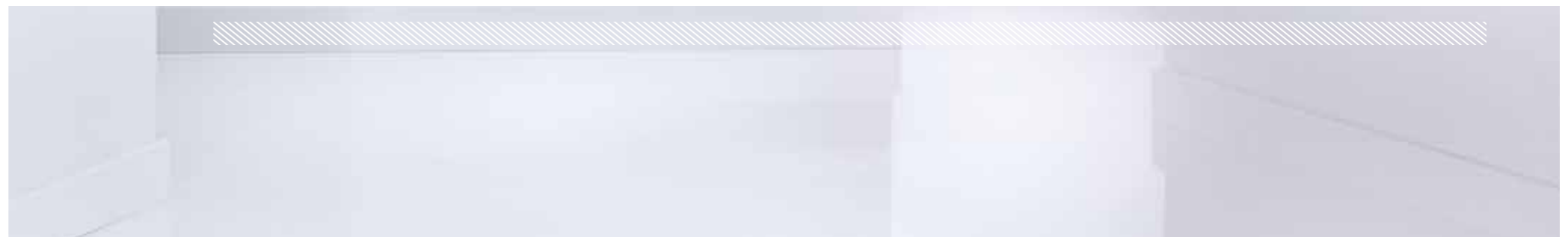


SP 500-BLK





004
PRO SERIES



PROFFESIONAL SERIES

PR 2000

- 360° EASY-MOVE CASTORS (LOCKING OPTION)
- CABLE MANAGEMENT
- ADJUSTABLE HEIGHT WITH TELESCOPIC POLES (50 CM FLEXIBILITY)
- AV TRAY FOR ELECTRONIC DEVICES
- WIDE MOUNTING PATTERN, 90° ROTATION 2 OPTIONS FOR TV POSITION (LANDSCAPE /PORTRAIT)
- TV HEIGHT ADJUSTMENT MIN. 100 CM, MAX 150 CM.
- UPPER VIDEO TRAY SUPPORT (PROJECTOR / CONFERENCE CALL CAMERA)

PR 2550

- TEMPERED GLASS WITH FLAT POLISHED EDGE
- RECTANGLE SHAPED ALUMINIUM
- INTEGRATED CABLE MANAGEMENT SYSTEM
- HIDDEN CASTERS
- (24°) SWIVEL SYSTEM
- ADJUSTABLE HEIGHT FOR BRACKET

PR 2000
PR 2550*

ALUMINIUM COLORS

HBLK-HIGH GLOSS BLACK *



INX-INOX *



GLASS COLORS

C-CLEAR *

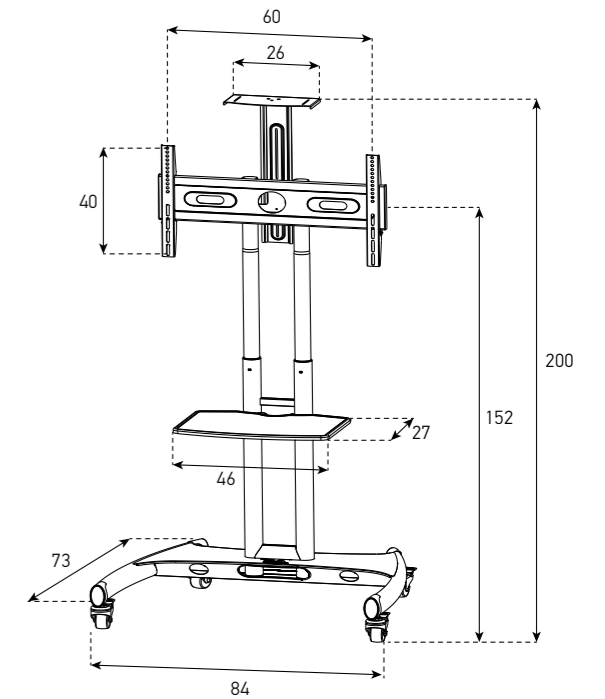


B-PIANOBLACK *



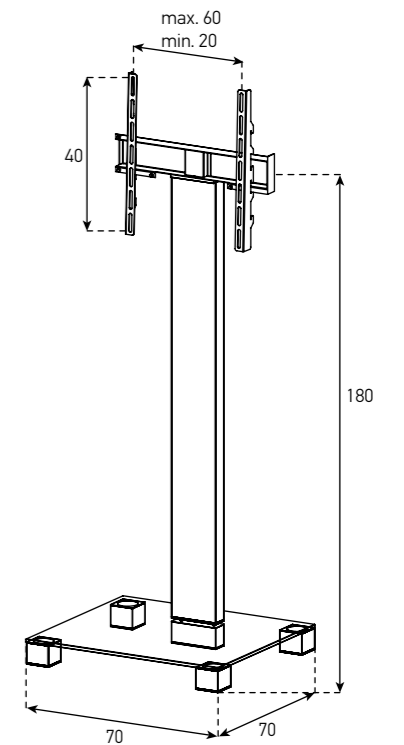
PR 2000-N

- MAX BRACKET LOAD
45 KG
- IDEAL SCREEN SIZE
50"

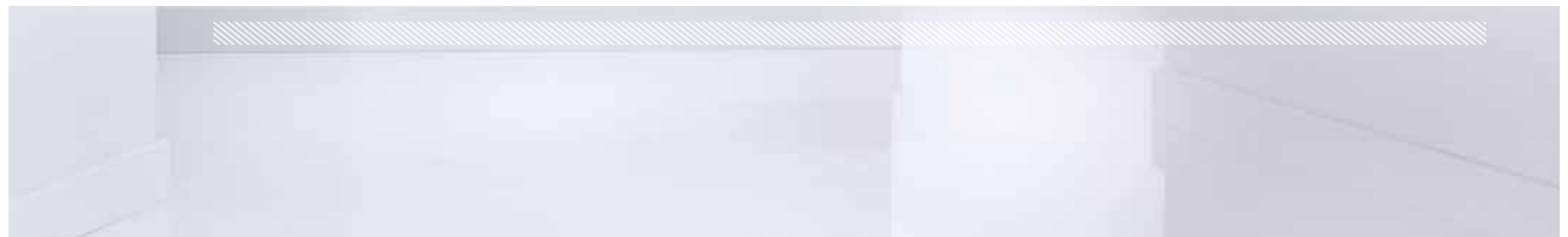


PR 2550-B-HBLK

- MAX BRACKET LOAD
50 KG
- IDEAL SCREEN SIZE
50"



005
HOME & OFFICE



HOME & OFFICE SERIES

HOME OFFICE HOMEWORK

HOMEWORK OR HOMEWORKER , HOBBIES OR ACCOUNTS.
 SPACIOUS DESKING FOR YOUR HOME ,WITHOUT EATING UP SPACE.
 INNOVATIVE DESING WITH DISCREET CABLE MANAGEMENT AND STORAGE.
 STYLISH AND COMPLEMENTARY, THAT'S HOMEWORK.

WALL UNIT

YOU HAVE IT ALL ENTERTAINMENT WISE , BUT NOT THE SPACE.
 A HOME FOR ALL, DVD ,SATELLITE BOX,SET TOP BOX,GAMING CONSOLE.
 ORGANISED, COMPACT, DISCREET AND STYLISH.

STATION

WORK, DESK AND HOME , NOT AN IDEAL COMBINATION UNTIL NOW!
 BE, CREATIVE AND GET WORK DONE, WITHOUT COMPROMISING.
 INNOVATIVE STYLING AND A COMPACT DEDICATED WORKPLACE FOR YOUR HOME
 BOOK CASE

SHELF

HM 72 WRK¹
 HM 110 WRK¹
 HM 110 WUN¹
 HM 110 STN²

BOOK CASE
 HM 100 BC¹

SHELF
 HM 110 SLF²

COLORS

BLK-BLACK



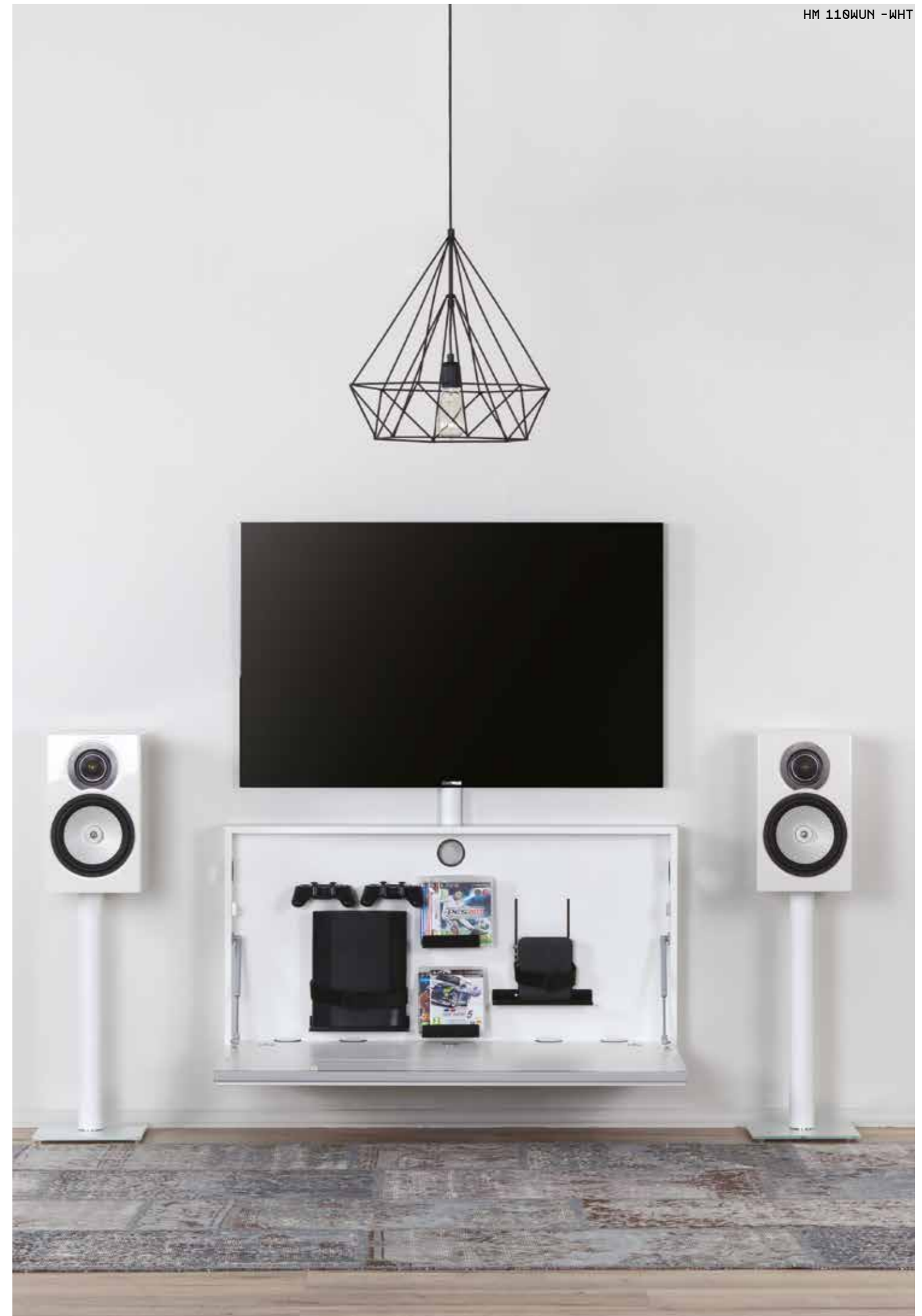
WHT-WHITE



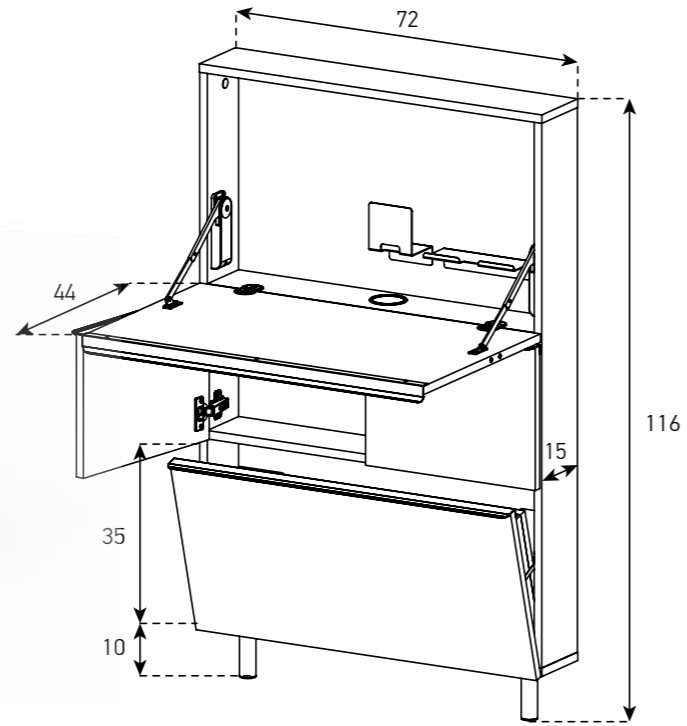
MOL-MOLINA



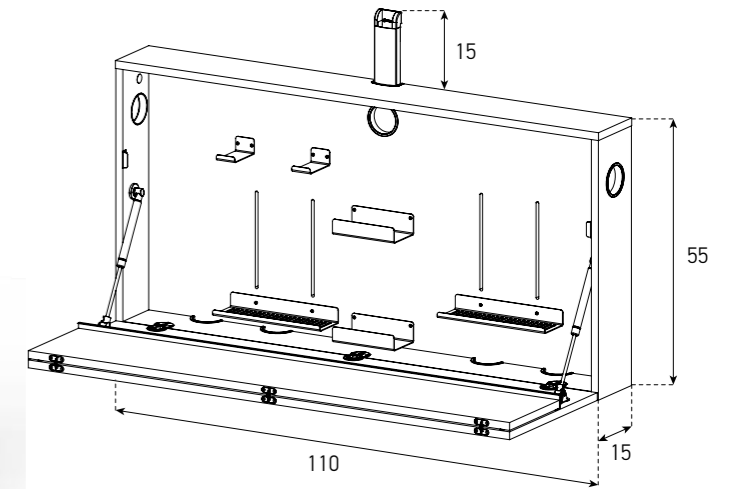
PS:BC body color is always in white
 STN door color is always in white



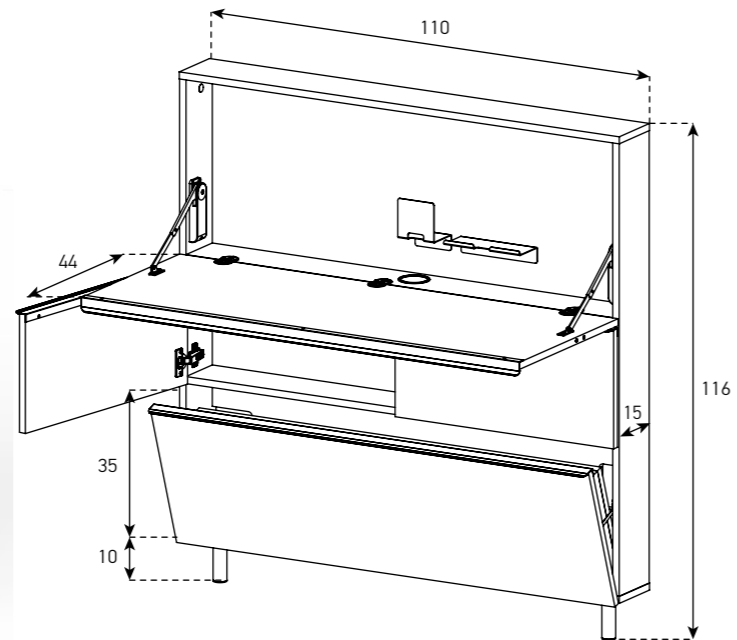
HM 72WRK



HM 110WUN

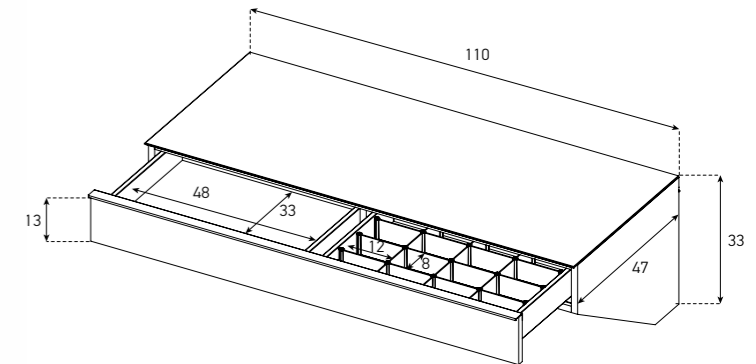


HM 110WRK

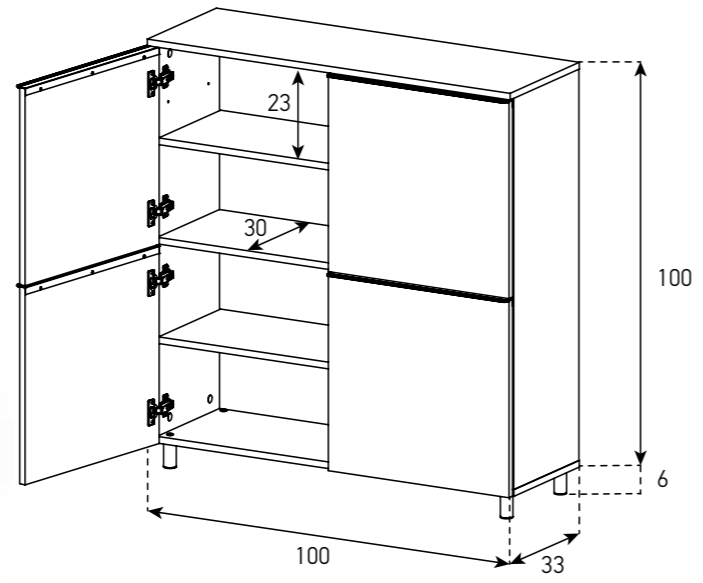


HM 110STN

MAX TOP LOAD 30 KG

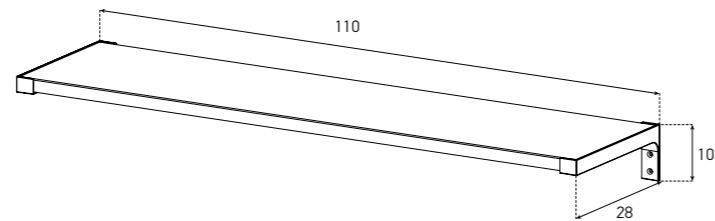


BOOK CASE / HM 100 BC



SHELF / HM 110 SLF

MAX TOP LOAD 10 KG





SONOROUS

